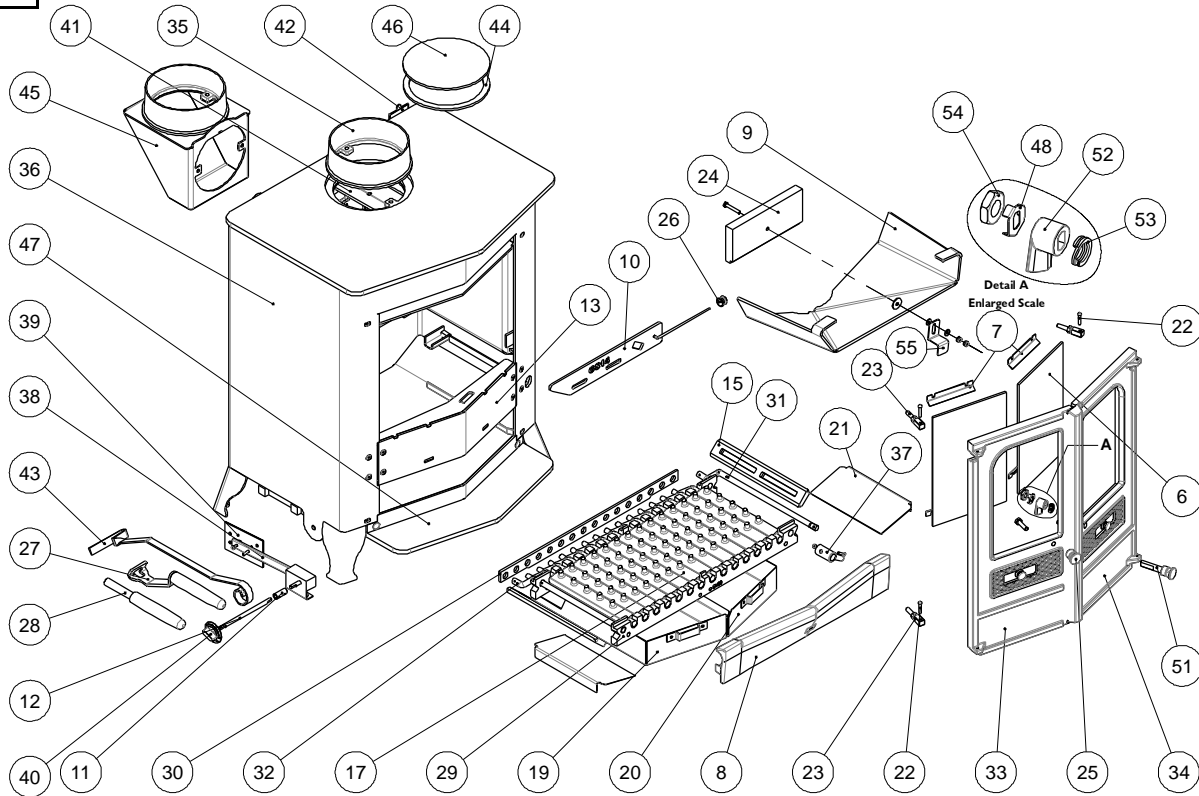




Issue H



Item	Part No.	Description	Ex.Vat.	Inc.Vat.	Item	Part No.	Description	Ex.Vat.	Inc.Vat.
3*	008/GS355	Door Seal Set Incl. Adhesive	23.05	27.66	30	012/BV33	Mover Bar	47.35	56.82
4*	008/FW29	Door Seal Adhesive	8.50	10.20	31	012/BV37	Riddler Rod	26.55	31.86
5*	008/RW55	Glass Seal Kit	10.20	12.24	32	012/CG05	Idler Rod	25.85	31.02
6	006/LW30	Glass (Inc Seal)	38.90	46.68	33#	002/FV01/A	Left Hand Door Assembly	105.25	126.30
7	004/GV23	Glass Retainer	3.00	3.60	34#	002/FV02/A	Right Hand Door Assembly	109.40	131.28
8	002/CS07	Wood Retainer	57.40	68.88	35#	002/CH12B	Flue Collar	55.40	66.48
9	010/GS31	Throat Plate	55.40	66.48	36	009/CO16BWB/A	Firebox / Boiler Assy (Country 16B Mk		
10	010/GS14	Secondary Air Slide	14.15	16.98	37	002/AY27	Riddler Knob	16.45	19.74
11	004/CS18	Thermostat Connector Tube	12.90	15.48	38	008/FW48	Thermostat	41.95	50.34
12	004/CS16	Thermostat Rod	11.50	13.80	39	008/FV49	Thermostat Flap	7.60	9.12
13	010/GS06	Front Middle Bar Assembly	55.85	67.02	40	008/BW50	Thermostat Knob	3.70	4.44
15	002/EW15	Side Fire Plate	25.85	31.02	41	010/AY51	Clamping Plate	14.80	17.76
16	002/BV16	Back Fire Plate	49.80	59.76	42	012/GS11W	Serial No. Label		
17	002/CG01	Bottom Grate Bar	13.05	15.66	43	012/FW34	Scraper Tool	10.10	12.12
18	002/CG01S14	Set of Grate Bars (14 Per Set)	144.25	173.10	44	008/NV38	Flue Fixing Rope Seal	5.70	6.84
19	004/FV17L	Left Hand Ashpan	59.45	71.34	45#	010/TW33	Vert. Rear Flue Connector (Opt'l Extra	86.00	103.20
20	004/FV17R	Right Hand Ashpan	59.45	71.34	46	012/TW09	Blanking Plate	18.75	22.50
21	004/BV19	Ash Shedding Plate	13.05	15.66	47	010/GS12	Shelf	53.85	64.62
22	008/BW39/S	Hinge Pin Set	2.80	3.36	48	004/ST008	Tabbed Locking Washer	1.02	1.22
23	008/FW27	Hinge Post	5.15	6.18	49*	010/BW51	Ash Carrier (Optional Extra)	84.00	100.80
24	011/GS29	Upper Throatplate Brick	13.40	16.08	50*	008/TH02/L	Low Level Pipe Stat (Opt'l Extra)	42.00	50.40
25	002/DY19	Left Hand Door Knob	11.50	13.80	51	002/DY18	R.H. Door Knob & Spindle	16.15	19.38
26	002/TW13	Air Control Knob	14.20	17.04	52	002/AY14	Door Catch Cam	7.90	9.48
27	012/BV20/A	Ashpan / Door Opening Tool	20.35	24.42	53	008/FFW015	M12 Double Coil Spring Washer	1.55	1.86
28	012/BV36/A	Riddling Tool	18.60	22.32	54	008/FFN001	M12 Half Nut	0.15	0.18
29	002/BV30	Carrier Bar	54.95	65.94	55	004/XV30	Brick Retaining Bracket	5.65	6.78

* These items are not shown on the drawing.
 # Please specify colour when ordering.
 Prices are shown in pounds sterling with vat at 20%
 They are correct at the date shown but may be subject to change without notice. E. & O.E
 These prices are subject to a carriage charge.

To obtain spare parts please contact your local stockist giving Model, Part No. and Description. In case of difficulty contact the manufacturer at the address shown.
 This drawing is for identification purposes only.

