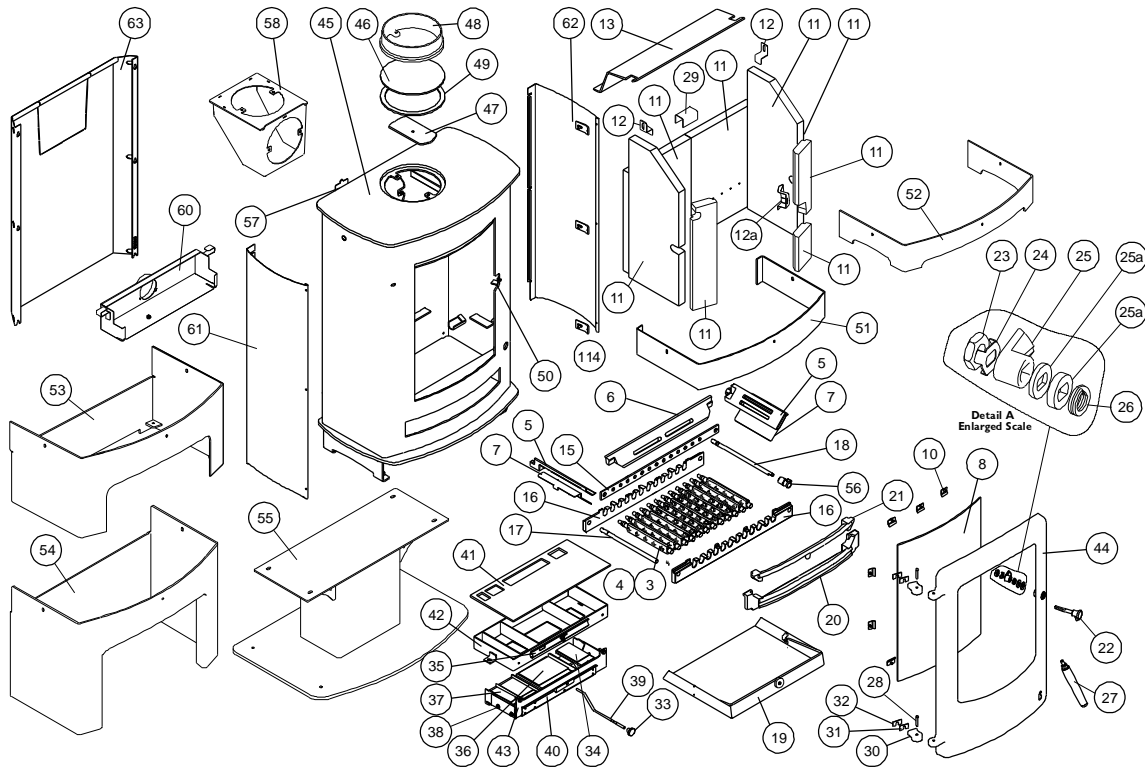




Issue D



Item	Part No.	Description	Ex.Vat.	Inc.Vat.	Item	Part No.	Description	Ex.Vat.	Inc.Vat.
1*	008/RV23S	Door Seal Set Inc.Adhesive .....	23.05	27.66	32	004/RV25A	Hinge Post Shim 2mm .....	NA	
2	008/FW29	Door Seal Adhesive .....	8.50	10.20	33	008/AY37	Air Control Knob .....	3.70	4.44
3	002/CG20	Bottom Grate Bar .....	13.05	15.66	34	004/CY22S	Secondary Air Inlet Flap .....	17.00	20.40
4	002/CG20S12	Set of Grate Bars (12) .....	123.35	148.02	35	004/CY21	Air Bypass Slide .....	16.45	19.74
5	002/CY15	Side Fire Plate .....	27.05	32.46	36	004/CY22P	Primary Air Inlet Flap .....	17.55	21.06
6	002/BY16	Back Fire Plate .....	50.20	60.24	37	004/AY22-1S	Secondary/Bypass Air Inlet Flap .....	16.45	19.74
7	004/BY24	Ash Shedding Plate .....	13.05	15.66	38	004/CY24	Flap Mounting Rod (Inc. Fixings) .....	8.50	10.20
8	006/RV18	Glass (Inc Seal) .....	147.90	177.48	39	004/RV32	Air Control Rod .....	11.50	13.80
9	008/RV45	Glass Seal .....	10.20	12.24	40	004/CY23	Actuator Assembly .....	40.00	48.00
10	004/KV23	Glass Retainer .....	0.52	0.62	41	008/RV16	Upper Quattro Box Gasket .....	14.40	17.28
11	011/RX27S	Set of Fire Bricks (6) .....	87.20	104.64	42	010/PY20	Upper Quattro Box .....	58.70	70.44
12	004/XV30	Brick Retainer .....	5.65	6.78	43	010/CY19	Lower Quattro Box .....	40.25	48.30
12a	004/RX041	Front Brick Bracket .....			44#	002/RX01/A	Door Assembly .....	452.85	543.42
13	010/RV31	Throat Plate .....	60.10	72.12	45	001/RX10	Firebox (Cove 3 MkII)		
14	008/CY26S	Set of Air Inlet Flap Pads .....			46	010/CY37	Blanking Plate .....	18.75	22.50
15	012/BY33	Mover Bar .....	37.30	44.76	47	010/CY61	Clamping Plate .....	14.80	17.76
16	002/BY30	Carrier Bar .....	43.15	51.78	48#	002/CY45	Flue Collar .....	58.20	69.84
17	012/AY13	Idler Rod .....	25.85	31.02	49	008/CY38	Flue Fixing Rope Seal .....	5.70	6.84
18	012/AY15	Riddler Rod .....	26.55	31.86	50	002/RX38	Door Stop .....	7.70	9.24
19	004/RX17	Ashpan .....	55.75	66.90	51#	010/RV13	Low Stand .....	63.00	75.60
20	002/BY07B	Front Firebar .....	47.35	56.82	52#	010/RX32	Low Arch Stand .....	63.00	75.60
21	002/BY08	Deepening Bar .....	39.50	47.40	53#	010/RX35	Midi Stand .....	170.00	204.00
22	002/PX92	Door Knob & Spindle .....	17.55	21.06	54#	010/RX11	Store Stand .....	180.00	216.00
23	008/FFN001	M12 Half Nut .....	0.15	0.18	55#	010/RX12	Centre Stand .....	120.00	144.00
24	004/ST008	Tabbed Locking Washer .....	1.02	1.22	56	002/PX89	Riddler Knob .....	27.20	32.64
25	002/AY14	Door Catch Cam .....	7.90	9.48	57	012/RV19	Serial No. Label .....	NA	
25a	010/ST031	Door Catch Spacer .....	1.45	1.74	58#	010/CY34	Vert. Rear Flue Connector (Opt'l Extra)	94.00	112.80
26	008/FFW015	M12 Double Coil Spring Washer .....	1.55	1.86	59#	010/BW51	Ash Carrier (Optional Extra) .....	84.00	100.80
27	008/PX95	Door/Riddling/Ashpan Tool .....	26.45	31.74	60	010/TH62	External Air Manifold Kit .....	88.50	106.20
28	008/PV28/S	Hinge Pin Set (2 Per Set) .....	2.80	3.36	61#	005/RX93L	LH Curved Side Panel .....	29.20	35.04
29	004/GV24	Rear Brick Joining Bracket .....	3.70	4.44	62#	005/RX93R	RH Curved Side Panel .....	29.20	35.04
30	002/RV26	Hinge Post .....	12.75	15.30	63#	010/RX80	Heatshield .....	62.00	74.40
31	004/RV25B	Hinge Post Shim 0.9mm .....	0.39	0.47					

\*These items are not shown on the drawing.  
 # Please specify colour when ordering.  
 Prices are shown in pounds sterling with vat at 20%  
 They are correct at the date shown but may be subject to change without notice. E. & O.E  
 These prices are subject to a carriage charge.

To obtain spare parts please contact your local stockist giving Model, Part No. and Description. In case of difficulty contact the manufacturer at the address shown.  
 This drawing is for identification purposes only.

