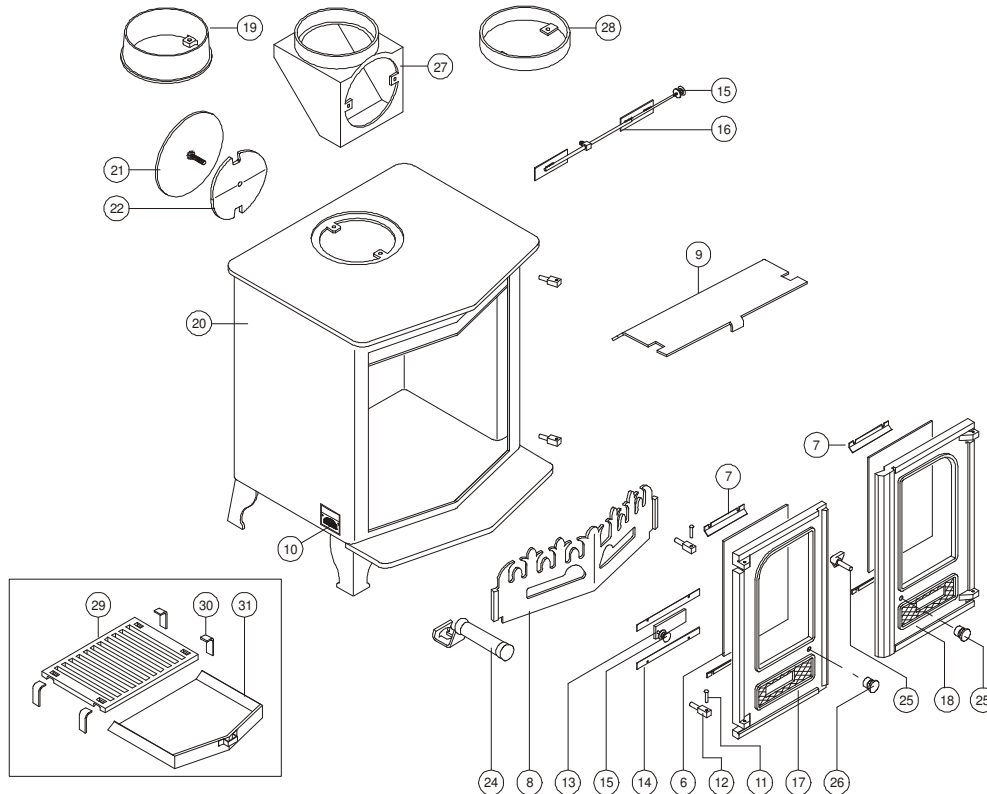


Parts List



Item	Part No.	Description	Ex.Vat.	Inc.Vat.	Item	Part No.	Description	Ex.Vat.	Inc.Vat.
3*	008/GV40/S	Door Seal Set Incl. Adhesive	22.70	26.67	44	010/LV20	Coal Kit	107.10	125.84
4*	008/FW29	Door Seal Adhesive	6.75	7.93					
5*	008/TW44S	Glass Channel (set of 8)	12.00	14.10					
6	006/LW30	Glass (Inc Channel)	31.05	36.48					
7	004/GV23	Glass Retainer	2.50	2.94					
8	002/LV07C/A	Front Fence	45.15	53.05					
9	010/LV32	Throat Plate	36.60	43.01					
10	012/LV11	Serial No. Label							
11	008/BW39/S	Hinge Pin Set	2.30	2.70					
12	008/FW27	Hinge Post	4.30	5.05					
13	012/TW14	Primary Air Slide	14.80	17.39					
14	004/DY26	Primary Air Slide Guide	9.70	11.40					
15	002/TW13	Air Control Knob	11.25	13.22					
16	004/TW48	Airwash Slide	17.75	20.86					
17	002/TW01	Left Hand Door	57.30	67.33					
18	002/BV02	Right Hand Door	56.25	66.09					
19	002/CH12B	Flue Collar	43.35	50.94					
20	009/CO8BWB/A	Firebox/Boiler Assy (Country 8B)	595.95	700.24					
21	012/TW09	Blanking Plate	14.80	17.39					
22	010/TW61	Clamping Plate	11.70	13.75					
23*	010/EW51	Ash Carrier (Optional Extra)	64.00	75.20					
24	012/BV20/A	Ashpan / Door Opening Tool	16.05	18.86					
25	008/BV03/A	Door Catch Assembly	13.90	16.33					
26	002/BV12	Left Hand Door Knob	11.25	13.22					
27	010/TW33	Vert. Rear Flue Connector (Opt'l Extra)	66.00	77.55					
28	010/TW55	Flue collar for Cast Pipe (Opt'l Extra) ...	43.35	50.94					
29	002/LV03	Coal Grate (Optional Extra)	66.45	78.08					
30	010/LV04/S	Grate Legs (Set of 4)	7.70	9.05					
37#	010/FY05L	Side Grate Support Plate L.H.	20.00	23.50					
38#	010/FY05R	Side Grate Support Plate R.H.	20.00	23.50					
39#	010/FY06	Rear Grate Support Plate	20.00	23.50					
40#	010/DY13	Riddler Rod	20.85	24.50					
41#	004/LV17	Ashpan	46.20	54.29					
42#	008/DY27	Riddling Tool	8.85	10.40					
43	004/LV17	Ashpan	46.20	54.29					

* These items are not shown on the drawing.

Prices are shown in pounds sterling with vat at 17.5%

They are correct at the date shown but may be subject to change without notice. E. & O.E

These prices are subject to a carriage charge.



To obtain spare parts please contact your local stockist giving Model, Part No. and Description. In case of difficulty contact the manufacturer at the address shown.

This drawing is for identification purposes only.

CHARWOOD Bishops Way, Newport, Isle of Wight PO30 5WS, United Kingdom

T:+44 (0)1983 537799 F:+44 (0)1983 537788 charnwood@ajwells.co.uk www.charnwood.com