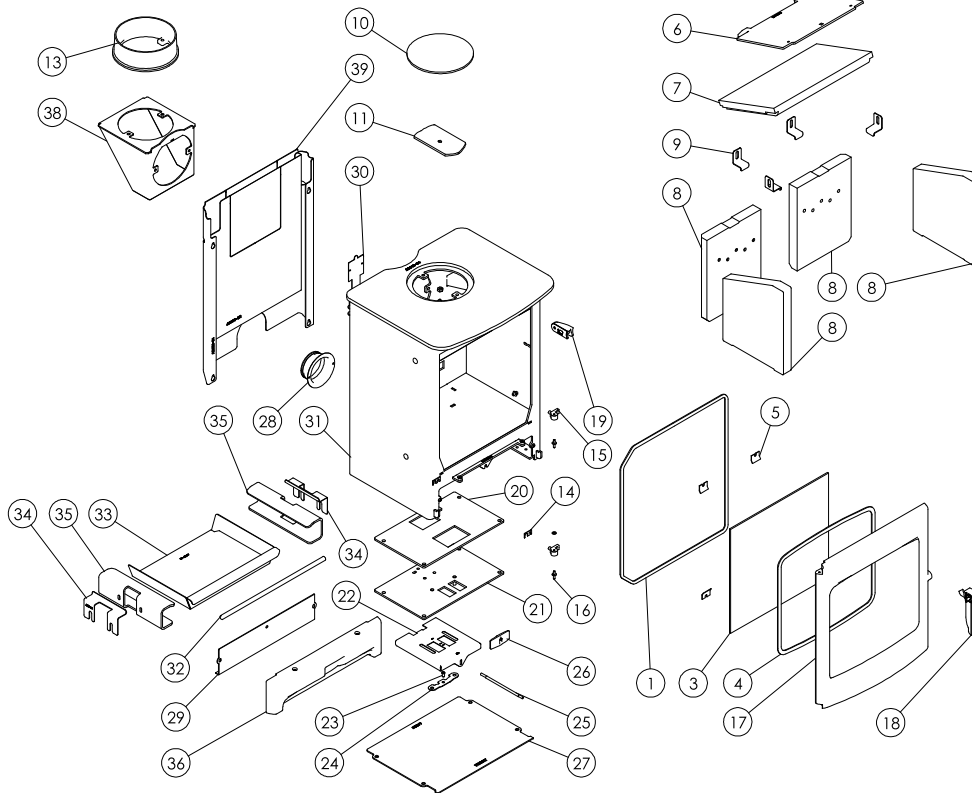




**Issue B**



Item	Part No.	Description	Ex.Vat.	Inc.Vat.	Item	Part No.	Description	Ex.Vat.	Inc.Vat.
1	008/AB035	Rope Door Seal .....	11.50	13.80	21	010/AB130	Air Control Plate .....	27.50	33.00
2*	008/FW29	Door Seal Adhesive .....	9.10	10.92	22	004/AB115	Slider .....	11.50	13.80
3	006/AB018	Glass (Inc Seal) .....	48.00	57.60	23	008/ES36/01	Brass Ball Catch .....	3.70	4.44
4	008/AY45	Glass Seal .....	10.40	12.48	24	004/BR015	Clicker Retainer Plate .....	2.90	3.48
5	004/KV23	Glass Retainer .....	0.57	0.68	25	004/BR016	Control Rod .....	14.80	17.76
6	010/AB045	Upper Throat Plate .....	27.00	32.40	26	008/EZ105	Air Control Handle .....	9.10	10.92
7	011/AB031	Throat Plate .....	30.90	37.08	27	010/AB077	Base Cover Plate .....	27.00	32.40
8	011/AB028S	Set of Fire Bricks .....	56.50	67.80	28	004/CR048	Air Inlet Spigot .....	10.80	12.96
9	004/XV30	Brick Bracket .....	6.10	7.32	29	004/AB057	Airbox Cover .....	8.50	10.20
10	012/TW09	Blanking Plate .....	19.90	23.88	30	012/ABL011	Serial No. Label		
11	010/AY51	Clamping Plate .....	15.80	18.96	31#	001/ABL010	Firebox		
12*	008/NV38	Flue Fixing Rope Seal .....	6.20	7.44	32	010/AB007	Front Fence Bar .....	5.10	6.12
13#	002/CH12B	Flue Collar .....	59.50	71.40	33	004/AB017	Ashpan .....	33.00	39.60
14	004/BR021	Hinge Shim .....	0.46	0.55	34	004/AB044	Brick Retainer .....	6.60	7.92
15	002/BR020	Hinge .....	9.70	11.64	35	010/AB016	Side Plate .....	22.00	26.40
16	008/ST068/2	Hinge Pin Set .....	2.90	3.48	36#	003/ABL002	Front Lower Casting .....	47.50	57.00
17#	003/AB001A	Door Assembly .....	205.00	246.00	37*	010/EW51	Ash Carrier (Optional Extra) .....	92.00	110.40
18#	003/AB012A	Door Handle .....	35.00	42.00	38#	010/TW33	Vert Rear Flue Adaptor (Opt'l Extra) ...	92.00	110.40
19#	003/AB055A	Latch Reciever .....	26.00	31.20	39#	010/AB080	Heat Shield (Optional Extra) .....	63.00	75.60
20	008/AB110	Air Control Gasket .....	8.50	10.20					

\*These items are not shown on the drawing.

# Please specify colour when ordering.

Prices are shown in pounds sterling with vat at 20%

They are correct at the date shown but may be subject to change without notice. E. & O.E

These prices are subject to a carriage charge.

To obtain spare parts please contact your local stockist giving Model, Part No. and Description. In case of difficulty contact the manufacturer at the address shown.

This drawing is for identification purposes only.

