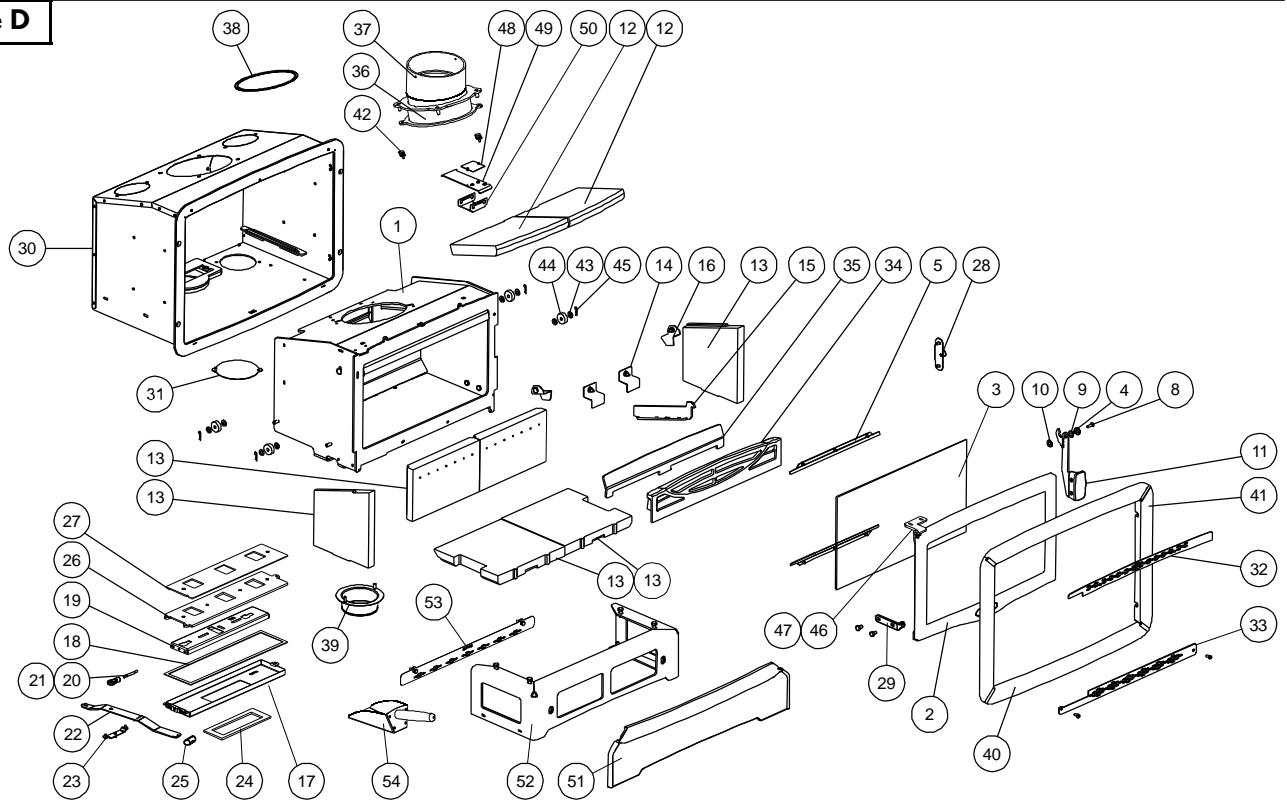




Issue D



Item	Part No.	Description	Ex.Vat.	Inc.Vat.	Item	Part No.	Description	Ex.Vat.	Inc.Vat.
1	001/XR010	Firebox			28	004/MR044	Latch Plate	8.50	10.20
2#	002/XR001/A	Door Assembly	170.00	204.00	29	002/XR020	Lower Hinge Bracket	13.80	16.56
3	006/MR019	Glass	58.50	70.20	30	010/XR011	Convection Casing		
4	008/MR047	Handle Pivot Boss	5.40	6.48	31	004/MR060	Air Duct Cover	8.60	10.32
5	004/XR074	Glass Retainer	7.70	9.24	32	004/XR027	Screen Top	8.60	10.32
6*	008/MR085	Glass Seal	9.80	11.76	33	004/XR026	Screen Lower	8.60	10.32
7*	008/XR076	Door Seal	34.00	40.80	34	002/MR017	Fence	39.50	47.40
8	008/FFS046	M6x20 CSK Allen Screw	0.30	0.36	35	010/MR078	Ash Barrier	12.60	15.12
9	008/FFW027	M10 Wavy Washer	0.95	1.14	36	010/XR098	6" Lower Flue Adaptor	42.50	51.00
10	008/FFW007	M10x19 Washer	0.10	0.12	37	010/XR096	6" Upper Flue Adaptor	78.00	93.60
11	010/MR038	Handle Assembly			38	008/XR044	Inner Flue Gasket	8.60	10.32
12	011/MR031S	Set of Baffle Firebricks	36.50	43.80	39	010/MR126	100mm Spigot Assy	42.50	51.00
13	011/XR030S	Set Base, Back & Side Bricks	67.00	80.40	40#	002/MR113	Top/Bottom Trim	37.50	45.00
14	004/XR008	Back Brick Bracket	3.00	3.60	41#	002/XR112	Side Trim	37.50	45.00
15	010/XR087	Throat Plate Support Bracket	21.00	25.20	42	004/GR090	Fastener Retainer	0.66	0.79
16	004/XR025	Side Brick Bracket	3.00	3.60	43	008/FFW007	M8 Washer	0.10	0.12
17	004/XR055	Air Slide Cover	35.00	42.00	44	010/XR085	Roller	3.00	3.60
18	008/XR063	Air Box Upper Gasket	11.40	13.68	45	008/FFP006	R-Pin	0.10	0.12
19	004/XR007	Air Control Slider	12.60	15.12	46	010/XR041	Upper Hinge Bracket	5.40	6.48
20	004/XR064	Control Rod	5.40	6.48	47	010/XR042	Hinge Spacer	4.20	5.04
21	008/FFM056	Rod End	12.50	15.00	48	012/XR014	Serial No Label		
22	010/XR022	Air Slide Control Handle	11.50	13.80	49	004/MR116	Serial Plate Carrier		
23	004/XR058	Clicker Assembly	10.60	12.72	50	004/MR115	Serial No bracket		
24	008/XR062	Airbox Lower Gasket	9.80	11.76	51#	002/MR114	Fireplace Trim (Optional Extra)	90.00	108.00
25	008/XR012	Control Knob	6.90	8.28	52	010/XR093	Fireplace Stand (Optional Extra)	46.50	55.80
26	004/XR072	Air Control Plate	33.00	39.60	53	004/MR118	Fireplace Trim Infill	8.20	9.84
27	008/XR073	Air Control Gasket	7.60	9.12	54	010/XR088	Ash Scoop	12.60	15.12

*These items are not shown on the drawing.

Please specify colour when ordering.

Prices are shown in pounds sterling with vat at 20%

They are correct at the date shown but may be subject to change without notice. E. & O.E

These prices are subject to a carriage charge.

To obtain spare parts please contact your local stockist giving Model, Part No. and Description. In case of difficulty contact the manufacturer at the address shown.

This drawing is for identification purposes only.

