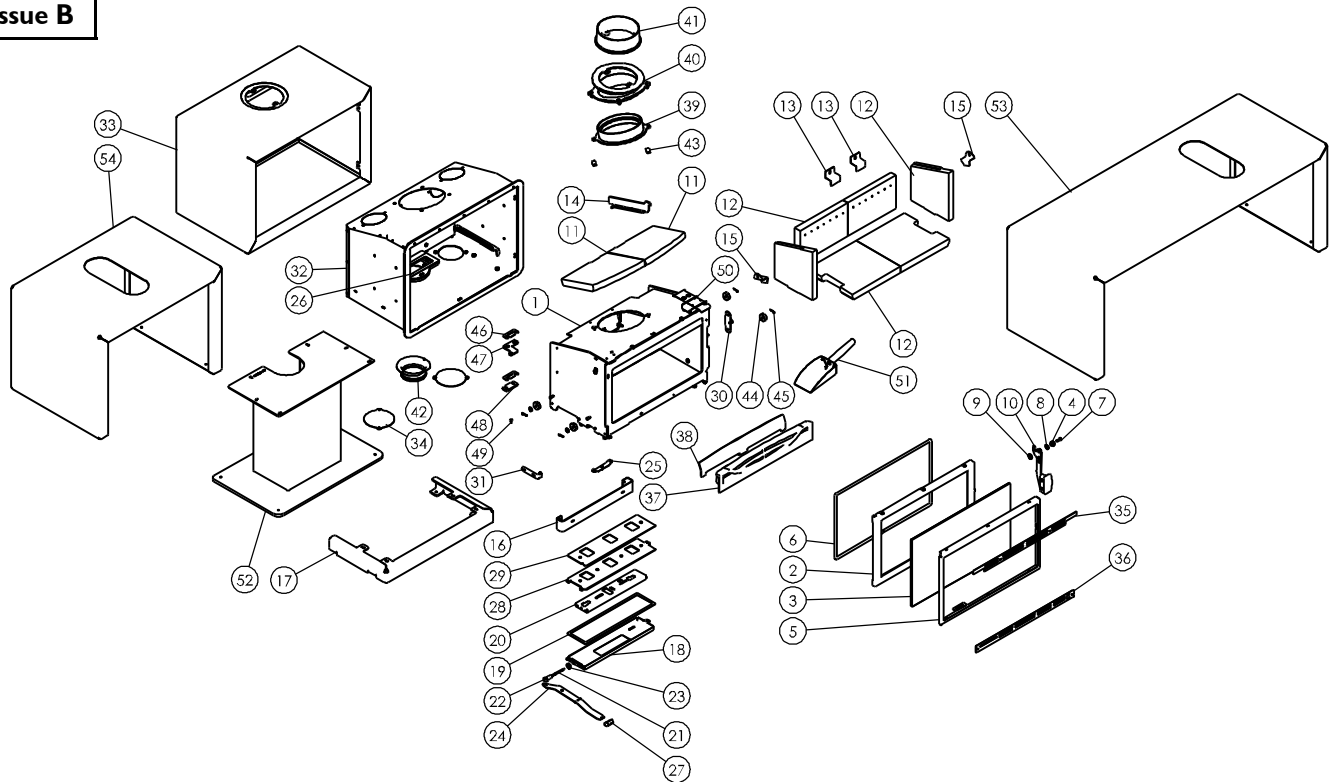




Issue B



Item	Part No.	Description	Ex.Vat.	Inc.Vat.	Item	Part No.	Description	Ex.Vat.	Inc.Vat.
1	001/XR010	Firebox			28	004/XR072	Air Control Plate	33.00	39.60
2	002/BT001	Door Casting	79.00	94.80	29	008/XR073	Air Control Gasket	7.60	9.12
3	006/BT018	Glass	120.00	144.00	30	004/MR044	Latch Plate	8.50	10.20
4	008/MR047	Handle Pivot Boss	5.40	6.48	31	002/XR020	Lower Hinge Bracket	13.80	16.56
5#	005/BT023	Glass Trim		NA	32	010/XR011	Convection Casing	142.00	170.40
6	008/XR076	Door Seal	34.00	40.80	33#	005/JT049	Outer Casing	140.00	168.00
7	008/FFS046	M6x20 CSK Allen Screw	0.30	0.36	34	004/MR060	Air Duct Cover	8.60	10.32
8	008/FFW027	M10 Wavy Washer	0.95	1.14	35	004/JT025	Screen Top	12.80	15.36
9	008/FFW007	M10x19 Washer	0.10	0.12	36	004/JT029	Screen Lower	12.80	15.36
10	010/MR038	Handle Assembly	4.20	5.04	37	002/MR017	Fence	39.50	47.40
11	011/MR031S	Set of Baffle Firebricks	36.50	43.80	38	010/MR078	Ash Barrier	12.60	15.12
12	011/XR030S	Set Base, Back & Side Bricks	67.00	80.40	39	010/XR098	6" Lower Flue Adaptor	42.50	51.00
13	004/XR008	Back Brick Bracket	3.00	3.60	40	010/JT096	6" Upper Flue Adaptor	45.00	54.00
14	010/XR087	Throat Plate Support Bracket	21.00	25.20	41#	002/CH12B	Flue Collar	59.50	71.40
15	004/XR025	Side Brick Bracket	3.00	3.60	42	010/MR126	100mm Spigot Assy	42.50	51.00
16	004/JT052	Rear Fixing Bracket	20.50	24.60	43	004/GR090	Fastener Retainer	0.66	0.79
17	010/JT035	Table Top Plinth	37.50	45.00	44	010/XR085	Roller	3.00	3.60
18	004/XR055	Air Slide Cover	35.00	42.00	45	008/FFP006	R-Pin	0.10	0.12
19	008/XR063	Air Box Upper Gasket	11.40	13.68	46	010/BT043	Upper Hinge Spacer	2.10	2.52
20	004/XR007	Air Control Slider	12.60	15.12	47	010/XR041	Upper Hinge Bracket	5.40	6.48
21	004/XR064	Control Rod	5.40	6.48	48	010/XR042	Hinge Spacer	4.20	5.04
22	008/FFM056	Rod End	12.50	15.00	49	008/FFR016	Hinge Pin	0.20	0.24
23	008/BR052	Felt Washer	0.93	1.12	50	012/JT011	Serial No Label		
24	010/XR022	Air Slide Control Handle	11.50	13.80	51	010/XR088	Ash Scoop	12.60	15.12
25	004/XR058	Clicker Assembly	10.60	12.72	52#	010/JT034	Centre Stand	225.00	270.00
26	008/XR062	Airbox Lower Gasket	9.80	11.76	53#	010/JT070	Bench Stand	475.00	570.00
27	008/XR012	Control Knob	6.90	8.28	54#	010/JT071	Store Stand	285.00	342.00

*These items are not shown on the drawing.

Please specify colour when ordering.

Prices are shown in pounds sterling with vat at 20%

They are correct at the date shown but may be subject to change without notice. E. & O.E

These prices are subject to a carriage charge.

To obtain spare parts please contact your local stockist giving Model, Part No. and Description. In case of difficulty contact the manufacturer at the address shown.

This drawing is for identification purposes only.

