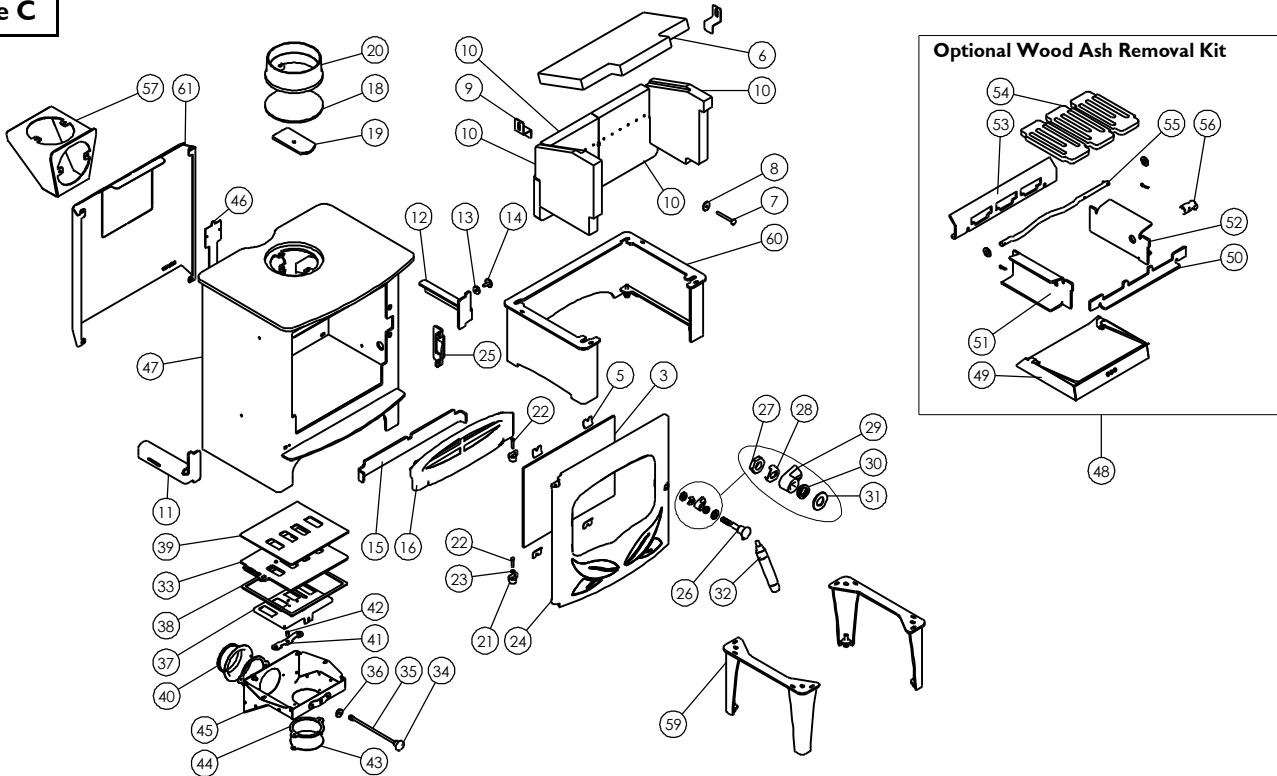




**Issue C**



Item	Part No.	Description	Ex.Vat.	Inc.Vat.	Item	Part No.	Description	Ex.Vat.	Inc.Vat.
1*	008/AT002	Rope Door Seal 10mm .....	23.00	27.60	33	010/CR005	Air Control Plate .....	57.00	68.40
2*	008/FW29	Door Seal Adhesive .....	11.20	13.44	34	008/AY37	Air Control Knob .....	4.85	5.82
3	006/NR019	Glass .....	47.00	56.40	35	004/ER016	Control Rod .....	2.20	2.64
4*	008/NR044	Glass Seal .....	23.00	27.60	36	008/BR052	Felt Washer .....	1.14	1.37
5	004/KV23	Glass Retainer .....	0.70	0.84	37	004/NRE007	Air Inlet Slide .....	21.00	25.20
6	011/NRE131	Brick Throat Plate .....	44.00	52.80	38	008/BR045	Lower Airbox Gasket .....	10.60	12.72
7	008/FFB125	Coach Bolt M6 x 45 .....	0.73	0.88	39	008/CR006	Airbox Gasket .....	10.60	12.72
8	010/ER036	Brick Retaining Washer .....	1.94	2.33	40	008/CR048	Air Inlet Spigot .....	7.90	9.48
9	004/XV30	Brick Bracket .....	7.45	8.94	41	004/BR015	Clicker Retainer Plate .....	3.55	4.26
10	011/AT130S	Set of Firebricks .....	114.00	136.80	42	008/ES36/01	Brass Ball Catch .....	4.55	5.46
11	010/NR028	L.H. Brick and Fence Support .....	18.10	21.72	43	004/CR064	Coverplate .....	9.85	11.82
12	010/NR029	R.H. Brick and Fence Support .....	18.10	21.72	44	008/CR063	Duct Gasket .....	4.85	5.82
13	010/AT023	Blanking Spacer .....	1.94	2.33	45	004/CR041	Air Box Cover .....	42.00	50.40
14	004/DY22	Riddler Hole Plug .....	4.65	5.58	46	012/AT011	Serial No. Label		
15	010/AT078	Wood Ash Retainer .....	26.50	31.80	47#	001/AT010	Firebox		
16	002/NR017	Fuel Retainer .....	61.00	73.20	48	010/AT022	Grate Kit .....	192.00	230.40
17*	008/NV38	Flue Fixing Rope Seal .....	7.55	9.06	49	004/AT017	Ashpan .....	52.50	63.00
18	012/PV09	Blanking Plate .....	24.50	29.40	50	010/EY06	Front Grate Support .....	34.50	41.40
19	010/AY51	Clamping Plate .....	19.20	23.04	51	010/NR043	L.H. Grate Support .....	27.50	33.00
20#	002/PV12B	Flue Collar .....	56.50	67.80	52	010/NR042	R.H. Grate Support .....	27.50	33.00
21	002/BR020	Hinge Casting .....	11.80	14.16	53	010/NR061	Rear Grate Support .....	27.50	33.00
22	008/BW39/S	Hinge Pin Set 5mm x 25mm .....	3.80	4.56	54	002/EY03	Grate Plate .....	34.50	41.40
23	008/FFW026	M6 Heay Brass Washer .....	0.15	0.18	55	010/DR060	Riddler Rod .....	35.50	42.60
24#	002/AT001/A	Door Assembly .....	166.00	199.20	56	002/PX89	Riddler Knob .....	36.00	43.20
25	010/AT016	Latch Bracket			57#	010/BU034	Vertical Rear Flue Adaptor (Opt'l Extra)	122.00	146.40
26	002/PX92	Door Knob & Spindle .....	23.50	28.20	58*	010/EW51	Ash Carrier (Optional Extra) .....	122.00	146.40
27	008/FFN001	M12 Half Nut .....	0.21	0.25	59#	010/ER051S	High Legs (Optional Extra) .....	130.00	156.00
28	004/ST008	Tabbed Locking Washer .....	1.46	1.75	60#	010/NR050	Store Stand (Optional Extra) .....	134.00	160.80
29	002/AY14	Door Catch .....	10.30	12.36	61#	010/NR057	Heat Shield (Optional Extra) .....	67.00	80.40
30	008/FFW015	M12 Double Coil Spring Washer .....	2.20	2.64	62*	004/AT097	Tool Pouch Hook .....	11.20	13.44
31	008/FFW008	M12 Washer .....	0.10	0.12	63*	008/AT096	Tool Holder Pouch .....	24.00	28.80
32	008/AT95	Door Tool .....	40.00	48.00					

\*These items are not shown on the drawing  
 # Please specify colour when ordering Prices are shown in pounds sterling with vat at 20% They are correct at the date shown but may be subject to change without notice. E. & O.E These prices are subject to a carriage charge.

To obtain spare parts please contact your local stockist giving Model, Part No. and Description. In case of difficulty contact the manufacturer at the address shown. This drawing is for identification purposes only.

