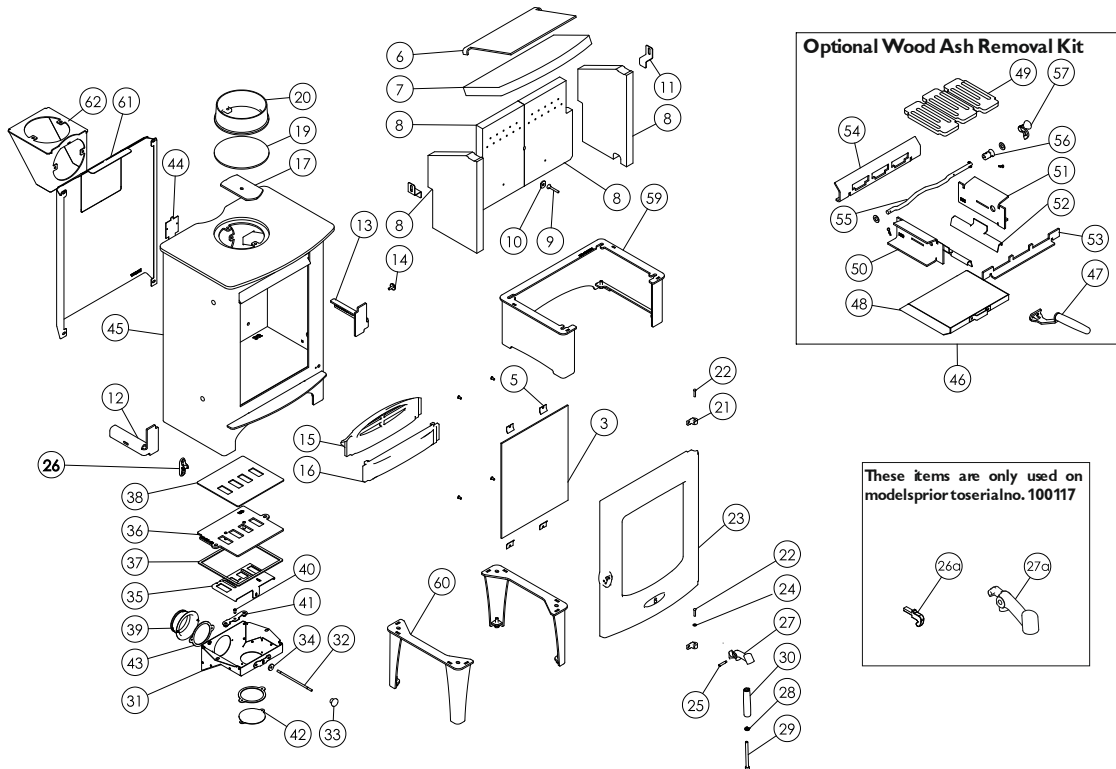




Issue B



Item	Part No.	Description	Ex.Vat.	Inc.Vat.	Item	Part No.	Description	Ex.Vat.	Inc.Vat.
1*	008/DR038	Rope Door Seal (10mm Dia)	24.00	28.80	31	004/CR041	Airbox Cover	34.50	41.40
1a*	008/DR039	Rope Door Seal (18mm Dia)	24.00	28.80	32	004/BR016	Control Rod	14.80	17.76
2*	008/FW29	Door Seal Adhesive	9.10	10.92	33	008/AY37	Air Control Knob	4.00	4.80
3	006/DR019	Glass (Inc Seal)	43.00	51.60	34	008/BR052	Felt Washer	0.93	1.12
4*	008/DR091	Glass Seal	18.40	22.08	35	004/DRE007	Air Inlet Slide	10.90	13.08
5	004/KV23	Glass Retainer	0.57	0.68	36	010/CR005	Air Control Plate	43.00	51.60
6	010/DRE147	Upper Throat Plate	22.50	27.00	37	008/BR045	Air Box Gasket	8.70	10.44
7	011/DRE131	Brick Throat Plate	19.70	23.64	38	008/CR006	Airbox Gasket (Upper)	8.70	10.44
8	011/DRE130S	Set of Fire Bricks	69.00	82.80	39	004/CR048	Air Inlet Spigot	10.80	12.96
9	008/FFB127	M6 x 45 Coach Bolt	0.59	0.71	40	008/ES36/01	Brass Ball Catch	3.70	4.44
10	010/ER036	Brick Retaining Washer	1.60	1.92	41	004/BR015	Clicker Retainer Plate	2.90	3.48
11	004/XV30	Brick Retaining Bracket	6.10	7.32	42	004/CR064	Coverplate	8.10	9.72
12	010/DRE027L	LH Brick and Fence Support	8.00	9.60	43	008/CR063	Duct Gasket	4.00	4.80
13	010/DRE027R	RH Brick and Fence Support	8.00	9.60	44	012/DRE011	Serial No. Label		
14	004/DY22	Riddler Blanking Disk	3.80	4.56	45#	001/DRE010	Firebox		
15	002/BR017	Fuel Retainer	42.00	50.40	46	010/DRE022	Wood Ash Removal Kit (Inc Handle) ...	160.00	192.00
16	002/BR034	Wood Ash Retainer	33.00	39.60	47	012/BV20/A	Ashpan Tool	22.00	26.40
17	010/AY51	Clamping Plate	15.80	18.96	48	004/BR033	Ashpan	32.50	39.00
18*	008/NV38	Flue Fixing Rope Seal	6.20	7.44	49	002/EY03	Grate Plate	28.00	33.60
19	012/TW09	Blanking Plate	19.90	23.88	50	010/DRE043	L.H. Grate Support	26.50	31.80
20#	002/CH12B	Flue Collar	59.50	71.40	51	010/DRE042	R.H. Grate Support	26.50	31.80
21	002/BR020	Hinge	9.70	11.64	52	004/DRE019	Ash Shedding Plate	8.70	10.44
22	008/ST068/2	Hinge Pin Set	2.90	3.48	53	010/DRE006	Front Grate Support	24.50	29.40
23#	002/DR001/A	Door Assembly	210.00	252.00	54	010/DRE061	Rear Grate Support	26.50	31.80
24	008/FFW026	1/4 Heavy Brass Washer	0.15	0.18	55	010/DR060	Riddler Rod	29.00	34.80
25	004/BR014	Handle Pivot Pin	4.30	5.16	56	002/DY21	Riddler Knob	18.10	21.72
26	004/BR084	Door Latch			57	008/DY27	Riddling Tool	11.80	14.16
26a	002/PV13	Door Latch	7.30	8.76	58*	010/EW51	Ash Carrier (Optional Extra)	92.00	110.40
27	002/BR087	Handle Casting			59#	010/DR050	Store Stand (Optional Extra)	124.00	148.80
27a	002/BR012	Handle Casting	17.60	21.12	60#	010/ER051	High Legs (Optional Extra)		
28	008/FFW015	Spring Washer (Thackery Type)	1.80	2.16	61#	010/DR057	Heat Shield (Optional Extra)	62.00	74.40
29	008/FFB007	M8 x 100mm Allen Head Bolt	0.50	0.60	62#	010/TW33	Vert Rear Flue Adaptor (Opt'l Extra) ...	92.00	110.40
30	008/BR013	Wooden Handle	11.00	13.20					

* These items are not shown on the drawing.
 # Please specify colour when ordering.
 ** These items are only used on models prior to serial no.100117.
 Prices are shown in pounds sterling with vat at 20%
 They are correct at the date shown but may be subject to change without notice. E. & O.E
 These prices are subject to a carriage charge.

To obtain spare parts please contact your local stockist giving Model, Part No. and Description. In case of difficulty contact the manufacturer at the address shown.
 This drawing is for identification purposes only.

