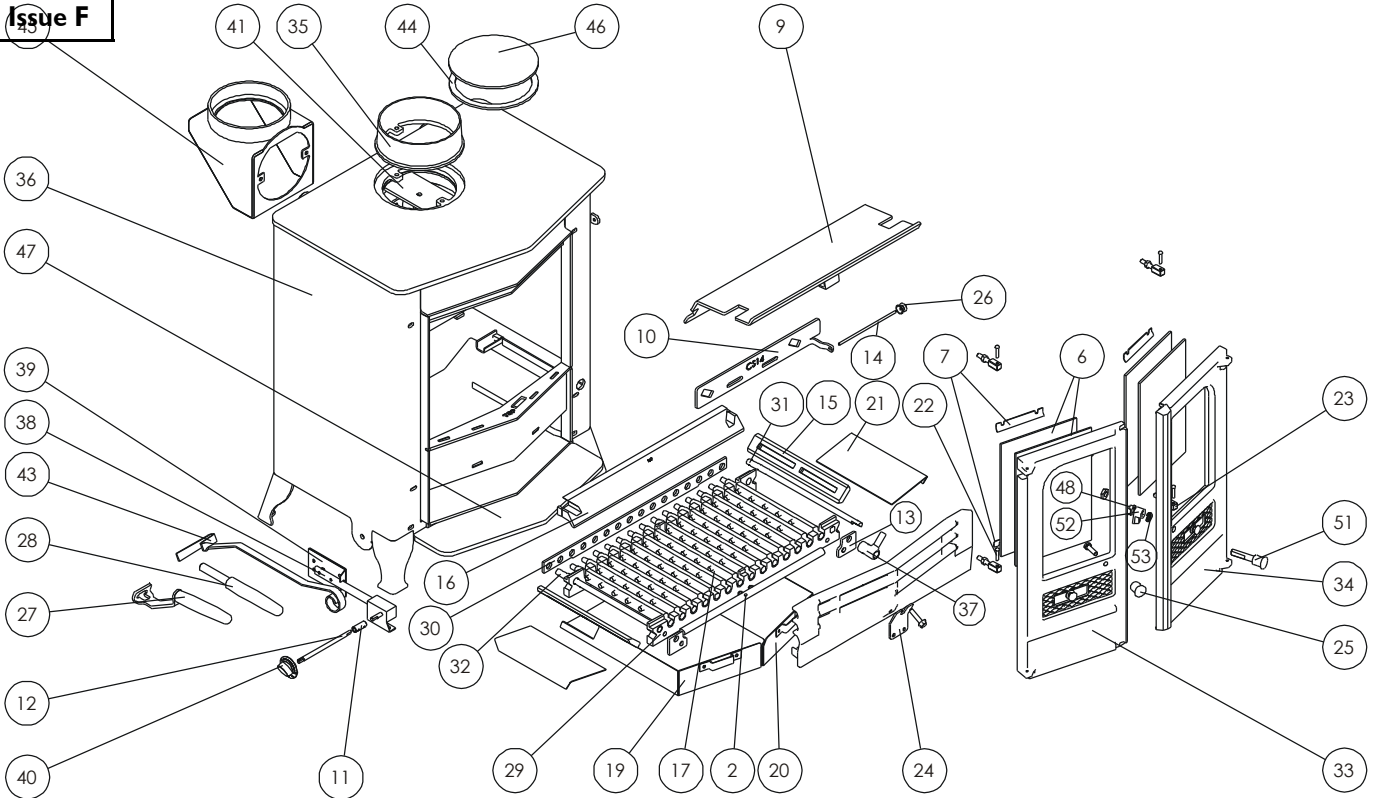




Issue F



Item	Part No.	Description	Ex.Vat.	Inc.Vat.	Item	Part No.	Description	Ex.Vat.	Inc.Vat.
2	008/CS13	Front Rope Seal	11.80	14.16	28	012/BV36/A	Riddling Tool	19.80	23.76
3*	008/FV35/S	Door Seal Set Incl. Adhesive	24.50	29.40	29	002/BV30	Carrier Bar	59.00	70.80
4*	008/FW29	Door Seal Adhesive	9.10	10.92	30	012/BV33	Mover Bar	50.50	60.60
5*	008/TW75	Glass Seal Kit	12.20	14.64	31	012/BV37	Riddler Rod	29.00	34.80
6	006/LW30	Glass (Inc Seal)	30.00	36.00	32	012/CG05	Idler Rod	28.00	33.60
7	004/EW23	Glazing Bar	3.30	3.96	33	002/FV01	Left Hand Door	95.00	114.00
8	002/CS08	Multifuel Retainer	78.00	93.60	34	002/FV02	Right Hand Door	95.00	114.00
9	010/CS31	Throat Plate	59.50	71.40	35#	002/CH12B	Flue Collar	59.50	71.40
10	012/CS14	Secondary Air Slide	11.50	13.80	36	009/CO16BMF/A	Firebox / Boiler Assy (Country 16B)		
11	004/CS18	Thermostat Connector Tube	13.80	16.56	37	002/AY27	Riddler Knob	17.60	21.12
12	004/CS16	Thermostat Rod	12.30	14.76	38	008/FW48	Thermostat	45.00	54.00
13	010/CS15	Carrier Bar Packer Plate	1.60	1.92	39	008/FV49	Thermostat Flap	8.20	9.84
14	004/CS19	Secondary Air Rod	15.50	18.60	40	008/BW50	Thermostat Knob	4.00	4.80
15	002/EW15	Side Fire Plate	28.00	33.60	41	010/AY51	Clamping Plate	15.80	18.96
16	002/BV16	Back Fire Plate	53.50	64.20	42	012/CS11M	Serial No. Label		
17	002/CG01	Bottom Grate Bar	13.90	16.68	43	012/FW34	Scraper Tool	10.90	13.08
18	002/CG01S14	Set of Grate Bars (14 Per Set)	156.00	187.20	44	008/NV38	Flue Fixing Rope Seal	6.20	7.44
19	004/FV17L	Left Hand Ashpan	64.00	76.80	45#	010/TW33	Vert. Rear Flue Connector (Opt'l Extra)	92.00	110.40
20	004/FV17R	Right Hand Ashpan	64.00	76.80	46	012/TW09	Blanking Plate	19.90	23.88
21	004/BV19	Ash Shedding Plate	13.90	16.68	47	010/CS12	Shelf	55.00	66.00
22	008/BW39/S	Hinge Pin Set	3.10	3.72	48	004/ST008	Tabbed Locking Washer	1.20	1.44
23	008/FW27	Hinge Post	5.60	6.72	49*	010/BW51	Ash Carrier (Optional Extra)	92.00	110.40
24	010/CS17	Front Fence Support Bracket	4.00	4.80	50*	008/TH02/L	Low Level Pipe Stat (Opt'l Extra)	46.00	55.20
25	002/DY19	Left Hand Door Knob	12.30	14.76	51	002/DY18	R.H. Door Knob & Spindle	17.20	20.64
26	002/TW13	Air Control Knob	15.10	18.12	52	002/AY14	Door Catch Cam	8.50	10.20
27	012/BV20/A	Ashpan / Door Opening Tool	22.00	26.40	53	008/FFW015	M12 Double Coil Spring Washer	1.80	2.16

* These items are not shown on the drawing.

Please specify colour when ordering.

Prices are shown in pounds sterling with vat at 20%

They are correct at the date shown but may be subject to change without notice. E. & O.E

These prices are subject to a carriage charge.

To obtain spare parts please contact your local stockist giving Model, Part No. and Description. In case of difficulty contact the manufacturer at the address shown.

This drawing is for identification purposes only.

