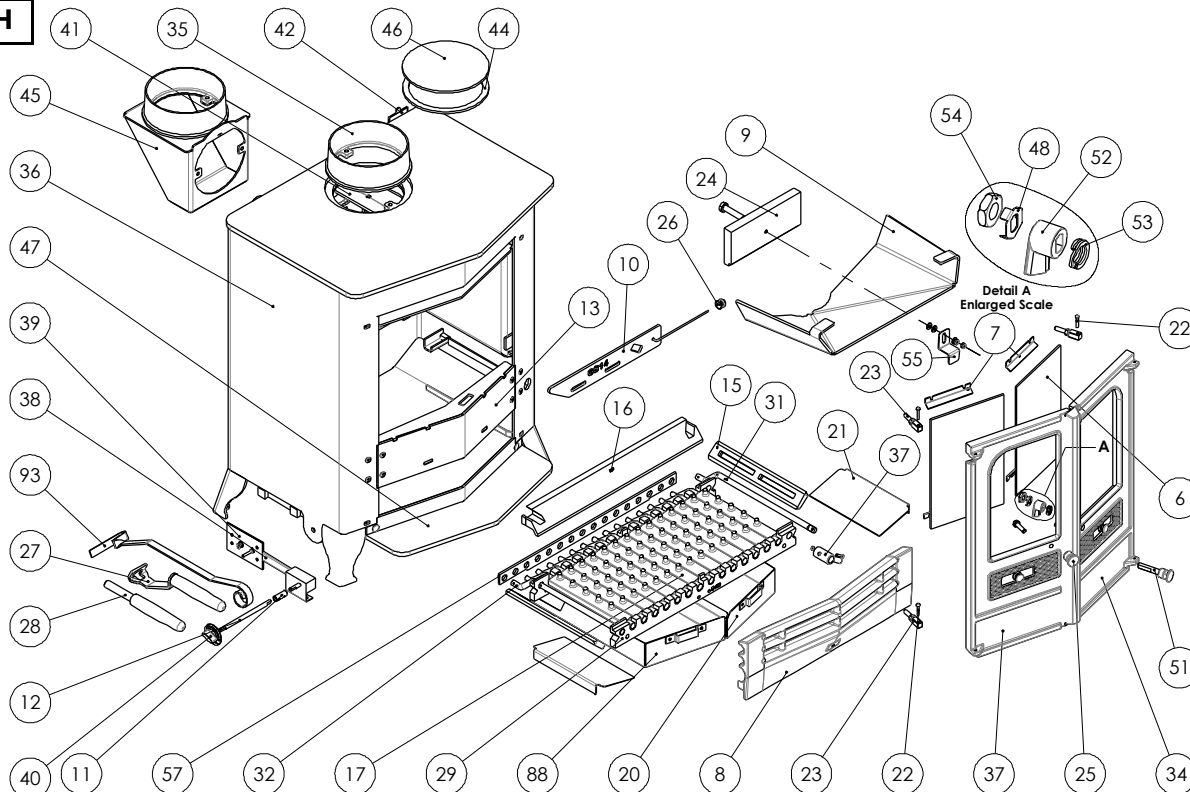




Issue H



| Item | Part No. | Description | Ex.Vat. | Inc.Vat. | Item | Part No. | Description | Ex.Vat. | Inc.Vat. |
|------|-------------|--------------------------------------|---------|----------|------|---------------|---|---------|----------|
| 3* | 008/GS35S | Door Seal Set Incl. Adhesive | 27.00 | 32.40 | 30 | 012/BV33 | Mover Bar | 56.00 | 67.20 |
| 4* | 008/FW29 | Door Seal Adhesive | 10.10 | 12.12 | 31 | 012/BV37 | Riddler Rod | 32.00 | 38.40 |
| 5* | 008/RW55 | Glass Seal Kit | 12.10 | 14.52 | 32 | 012/CG05 | Idler Rod | 31.00 | 37.20 |
| 6 | 006/LW30 | Glass (Inc Seal) | 33.00 | 39.60 | 33# | 002/FV01/A | Left Hand Door Assembly | 126.00 | 151.20 |
| 7 | 004/GV23 | Glass Retainer | 3.65 | 4.38 | 34# | 002/FV02/A | Right Hand Door Assembly | 130.00 | 156.00 |
| 8 | 002/CS08 | Multifuel Retainer | | | 35# | 002/CH12B | Flue Collar | 66.00 | 79.20 |
| 9 | 010/GS31 | Throat Plate | 66.00 | 79.20 | 36 | 009/CO16BMF/A | Firebox / Boiler Assy (Country 16B) | | |
| 10 | 010/GS14 | Secondary Air Slide | 16.70 | 20.04 | 37 | 002/AY27 | Riddler Knob | 19.40 | 23.28 |
| 11 | 004/CS18 | Thermostat Connector Tube | 15.20 | 18.24 | 38 | 008/FW48 | Thermostat | 49.50 | 59.40 |
| 12 | 004/CS16 | Thermostat Rod | 13.60 | 16.32 | 39 | 008/FV49 | Thermostat Flap | 9.05 | 10.86 |
| 13 | 010/GS06 | Front Middle Bar Assembly | 66.00 | 79.20 | 40 | 008/BW50 | Thermostat Knob | 4.40 | 5.28 |
| 15 | 002/EW15 | Side Fire Plate | 31.00 | 37.20 | 41 | 010/AY51 | Clamping Plate | 17.40 | 20.88 |
| 16 | 002/BV16 | Back Fire Plate | 59.00 | 70.80 | 42 | 012/GS11M | Serial No. Label | | |
| 17 | 002/CG01 | Bottom Grate Bar | 15.30 | 18.36 | 43 | 012/FW34 | Scraper Tool | 12.00 | 14.40 |
| 18 | 002/CG01S14 | Set of Grate Bars (14 Per Set) | 172.00 | 206.40 | 44 | 008/NV38 | Flue Fixing Rope Seal | 6.85 | 8.22 |
| 19 | 004/FV17L | Left Hand Ashpan | 71.00 | 85.20 | 45# | 010/TW33 | Vert. Rear Flue Connector (Opt'l Extra) | 106.00 | 127.20 |
| 20 | 004/FV17R | Right Hand Ashpan | 71.00 | 85.20 | 46 | 012/TW09 | Blanking Plate | 22.00 | 26.40 |
| 21 | 004/BV19 | Ash Shedding Plate | 15.30 | 18.36 | 47 | 010/GS12 | Shelf | 64.00 | 76.80 |
| 22 | 008/BW39/S | Hinge Pin Set | 3.45 | 4.14 | 48 | 004/ST008 | Tabbed Locking Washer | 1.32 | 1.58 |
| 23 | 008/FW27 | Hinge Post | 6.20 | 7.44 | 49* | 010/BW51 | Ash Carrier (Optional Extra) | 106.00 | 127.20 |
| 24 | 011/GS29 | Upper Throatplate Brick | 15.80 | 18.96 | 50* | 008/TH02/L | Low Level Pipe Stat (Opt'l Extra) | 53.00 | 63.60 |
| 25 | 002/DY19 | Left Hand Door Knob | 13.60 | 16.32 | 51 | 002/DY18 | R.H. Door Knob & Spindle | 19.00 | 22.80 |
| 26 | 002/TW13 | Air Control Knob | 16.70 | 20.04 | 52 | 002/AY14 | Door Catch Cam | 9.35 | 11.22 |
| 27 | 012/BV20/A | Ashpan / Door Opening Tool | 24.50 | 29.40 | 53 | 008/FFW015 | M12 Double Coil Spring Washer | 1.98 | 2.38 |
| 28 | 012/BV36/A | Riddling Tool | 22.00 | 26.40 | 54 | 008/FFN001 | M12 Half Nut | 0.19 | 0.23 |
| 29 | 002/BV30 | Carrier Bar | 65.00 | 78.00 | 55 | 004/XV30 | Brick Retaining Bracket | 6.75 | 8.10 |

* These items are not shown on the drawing.

Please specify colour when ordering. Prices are shown in pounds sterling with vat at 20% They are correct at the date shown but may be subject to change without notice. E. & O.E These prices are subject to a carriage charge.

To obtain spare parts please contact your local stockist giving Model, Part No. and Description. In case of difficulty contact the manufacturer at the address shown. This drawing is for identification purposes only.

