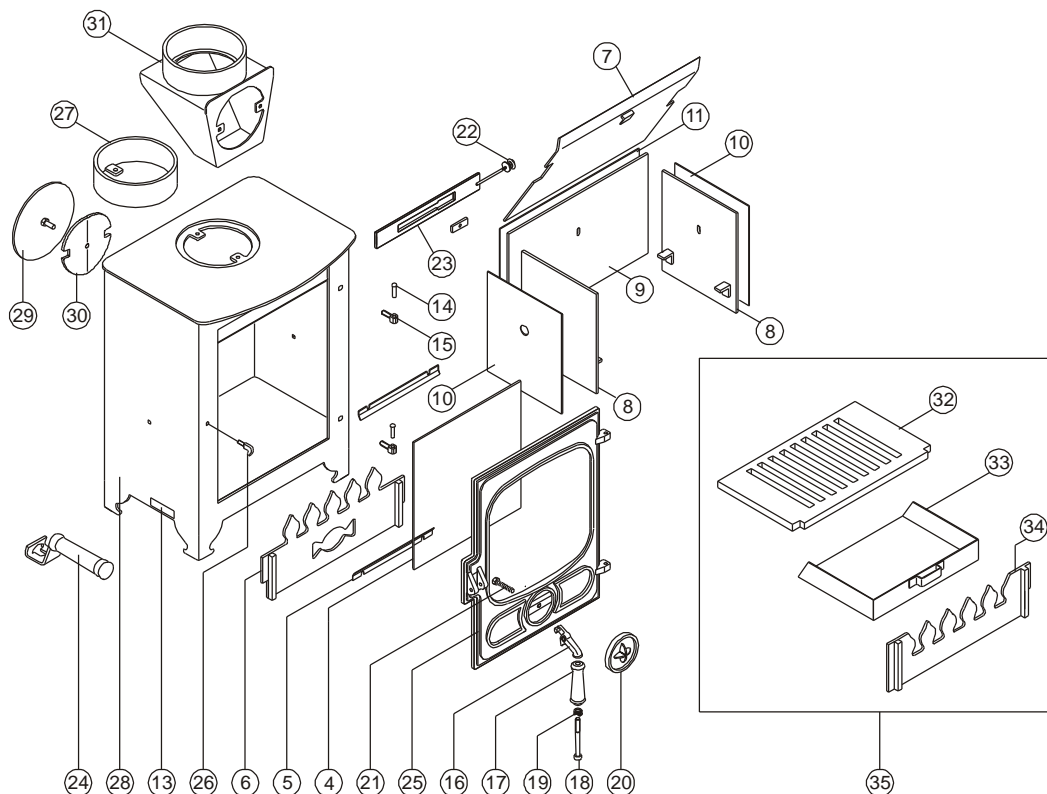




Issue F



Item	Part No.	Description	Ex.Vat.	Inc.Vat.	Item	Part No.	Description	Ex.Vat.	Inc.Vat.
1*	008/PV21	Door Seal	15.90	19.08	20	002/PV02	Primary Air Control	17.10	20.52
2*	008/FW29	Door Seal Adhesive	10.10	12.12	22	002/TW13	Air Control Knob	16.70	20.04
3*	008/PV55	Glass Seal	11.50	13.80	23	012/PV25	Airwash Slide	25.00	30.00
4	006/PV19	Glass (Inc Seal)	35.50	42.60	24	012/BV20/A	Ashpan / Door Opening Tool	24.50	29.40
5	004/BW23	Glass Retainer	3.65	4.38	25#	002/PV01/A	Door Assembly	170.00	204.00
6	002/PV07	Log Retainer	57.50	69.00	26	002/PV13	Door Latch Hook	8.05	9.66
7	010/PV31	Throat Plate	47.00	56.40	27#	002/PV12B	Flue Collar	51.00	61.20
8	010/PV15	Side Fire Plate (Inc Gasket)	40.50	48.60	28	001/PV10	Firebox (Country 4)		
9	010/EY16	Back Fire Plate (Inc Gasket)	43.00	51.60	29	012/PV09	Blanking Plate	22.00	26.40
10	011/PV26	Side Ceramic Gasket	11.70	14.04	30	012/PV14	Clamping Plate		NA
11	011/PV27	Back Ceramic Gasket	12.60	15.12	31#	010/BU034	Vert. Rear Flue Adapter (Opt'l Extra) ..	106.00	127.20
12	008/PV29	Set of Fire Plates(3) & Gaskets	85.00	102.00	32	002/PV22	Coal Grate (Optional Extra)	65.00	78.00
13	012/PV11	Serial No. Label			33	004/PV17	Ashpan	32.50	39.00
14	008/PV28/S	Hinge Pin Set (2 Per Set)	3.45	4.14	34	002/PV06	Coal Retainer (Optional Extra)	54.00	64.80
15	008/FW28	Hinge Post	6.50	7.80	35	010/PV20	Coal Kit - 3 Items (Optional Extra)	144.00	172.80
16	002/PV03	Door Catch Lever	25.50	30.60	36*	004/RW51	Ash Carrier (Optional Extra)	110.00	132.00
17	008/PV08	Door Handle (Incl. Screw & Washer) ..	12.70	15.24	37*	010/PV35	Boiler, Steel (Optional Extra)	190.00	228.00
18	008/PV42	Handle Screw M8 x 80mm Skt Hd Cap	1.54	1.85	38*	010/PV35/SS	Boiler, Stainless Steel (Opt'l Extra)	330.00	396.00
19	008/PV43	Thakaray Washer M8 x 7mm	0.99	1.19	39*#	010/PV34	Add-on Shelf	47.50	57.00

* These items are not shown on the drawing.

Please specify colour when ordering. Prices are shown in pounds sterling with vat at 20% They are correct at the date shown but may be subject to change without notice. E. & O.E These prices are subject to a carriage charge.

To obtain spare parts please contact your local stockist giving Model, Part No. and Description. In case of difficulty contact the manufacturer at the address shown. This drawing is for identification purposes only.

