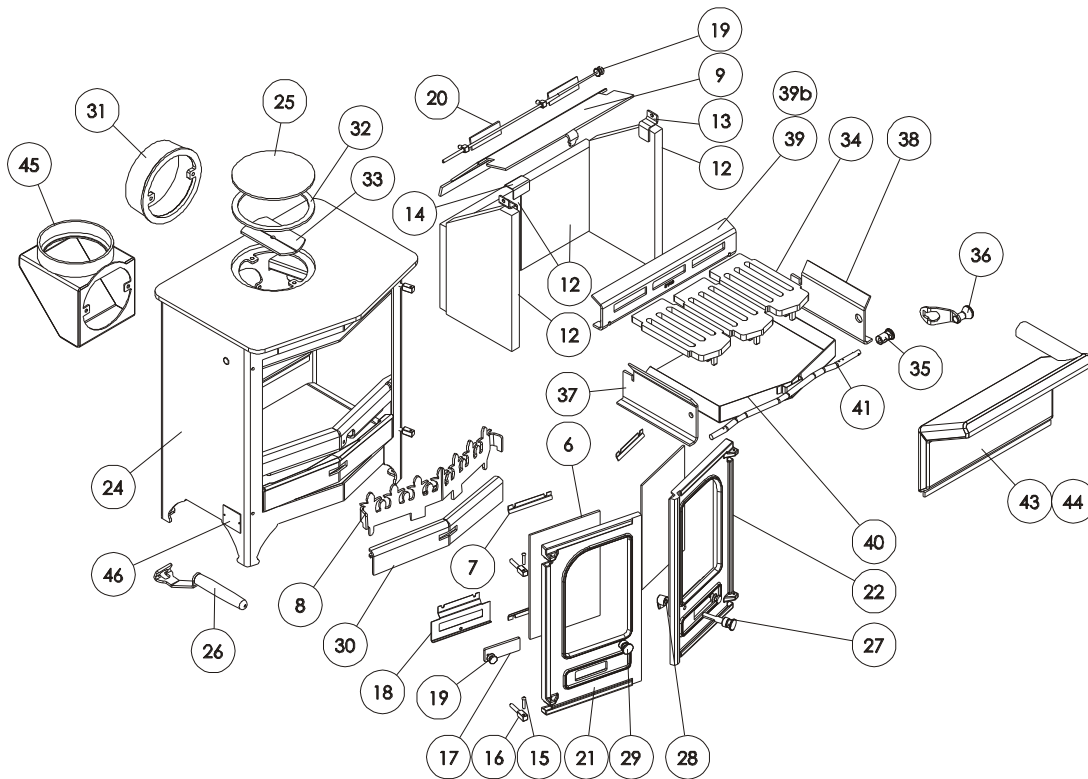




**Issue L**



Item	Part No.	Description	Ex.Vat.	Inc.Vat.	Item	Part No.	Description	Ex.Vat.	Inc.Vat.
3*	008/LV35/S	Door Seal Set Incl. Adhesive .....	24.50	29.40	29	002/DY19	Left Hand Door Knob .....	12.30	14.76
4*	008/FW29	Door Seal Adhesive .....	9.10	10.92	30	010/DY14	Wood Ash Retainer .....	41.50	49.80
5*	008/RW55	Glass Seal Kit .....	11.00	13.20	31#	002/CH12B	Flue Collar .....	59.50	71.40
6	006/LW30	Glass (Inc Seal) .....	30.00	36.00	32	008/NV38	Flue Fixing Rope Seal .....	6.20	7.44
7	004/GV23	Glass Retainer .....	3.30	3.96	33	010/AY51	Clamping Plate .....	15.80	18.96
8	010/DY08	Fuel Retainer .....	51.00	61.20	34**	002/DY03	Grate Plate .....	28.50	34.20
9	010/DY31	Throat Plate .....	57.00	68.40	35**	002/DY21	Riddler Knob .....	18.10	21.72
12	011/GV28S	Set of Fire Bricks .....	70.00	84.00	36**	008/DY27	Riddling Tool .....	11.80	14.16
13	004/GV27	Brick Retainer .....	5.00	6.00	37**	010/DY05L	Side Grate Support Plate L.H. ....	28.00	33.60
14	004/GV24	Rear Brick Joining Bracket .....	4.00	4.80	38**	010/DY05R	Side Grate Support Plate R.H. ....	28.00	33.60
15	008/BW39/S	Hinge Pin Set .....	3.10	3.72	39**	010/DY06	Rear Grate Support Plate .....	28.00	33.60
16	008/FW27	Hinge Post .....	5.60	6.72	39b	010/DY06B	Rear Grate Sup't Plate (Use With Boile	28.00	33.60
17	012/TW14	Primary Air Slide .....	19.90	23.88	40**	004/DY17	Ashpan .....	64.00	76.80
18	004/DY26	Primary Air Slide Guide .....	13.00	15.60	41**	010/DY13	Riddler Rod .....	29.00	34.80
19	002/TW13	Air Control Knob .....	15.10	18.12	42*	008/DY23	Riddler Rod Retaining Clips (Pack of 10	10.40	12.48
20	004/TW48	Airwash Slide .....	24.50	29.40	42a	010/DY20	Multi Fuel Kit (Optional Extra) .....	144.00	172.80
21#	002/GV01/WBA	Left Hand Door Assembly .....	124.00	148.80	43	010/TW50	Boiler, Steel (Optional Extra) .....	174.00	208.80
22#	002/GV02/WBA	Right Hand Door Assembly .....	130.00	156.00	44	010/TW50/SS	Boiler, Stainless Steel (Optional Extra) ..	315.00	378.00
24	001/DY10	Firebox (Country 6 MkII)			45#	010/TW33	Vert. Rear Flue Connector (Opt'l Extra)	92.00	110.40
25	012/TW09	Blanking Plate .....	19.90	23.88	46	012/GV11	Serial No. Label		
26	012/BV20/A	Ashpan / Door Opening Tool .....	22.00	26.40	47*	010/EW51	Ash Carrier (Optional Extra) .....	92.00	110.40
27	002/DY18	R.H. Door Knob & Spindle .....	17.20	20.64	48#	010/GV14	Add-on Shelf .....	62.00	74.40
28	002/AY14	Door Catch Cam .....	8.50	10.20					

\* These items are not shown on the drawing.

\*\* These items are included in the optional multi-fuel kit.

# Please specify colour when ordering.

Prices are shown in pounds sterling with vat at 20%

They are correct at the date shown but may be subject to change without notice. E. & O.E

These prices are subject to a carriage charge.

To obtain spare parts please contact your local stockist giving Model, Part No. and Description. In case of difficulty contact the manufacturer at the address shown.

This drawing is for identification purposes only.

