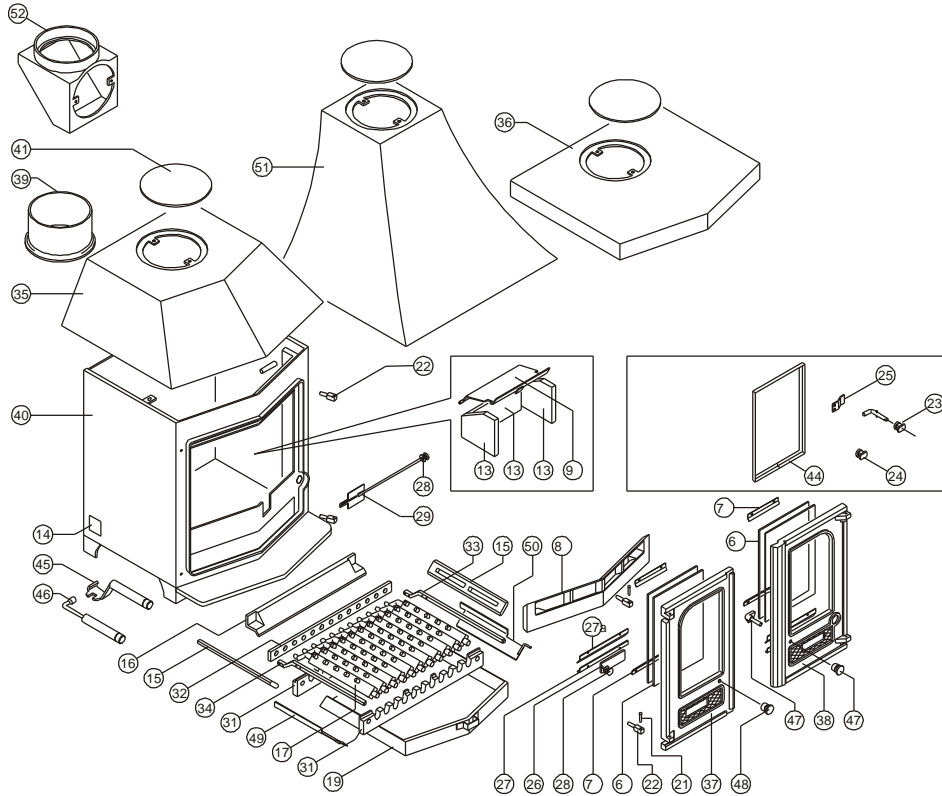




Issue N



Item	Part No.	Description	Ex.Vat.	Inc.Vat.	Item	Part No.	Description	Ex.Vat.	Inc.Vat.
1*	008/TW35L	Left Hand Door Seal	NA		28	002/TW13	Air Control Knob	18.40	22.08
2*	008/TW35R	Right Hand Door Seal	NA		29	004/TW41	Airwash Slide	14.00	16.80
3*	008/TW32	Canopy / Top Seal	29.00	34.80	31	002/EW30	Carrier Bar	52.50	63.00
4*	008/FW29	Door Seal Adhesive	11.20	13.44	32	012/EW33	Mover Bar	48.00	57.60
5*	008/TW75	Glass Seal Kit	14.90	17.88	33	012/TW23	Riddler Rod	24.50	29.40
6	006/LW30	Glass (Inc Seal)	36.50	43.80	34	012/CG05	Idler Rod	34.50	41.40
7	004/EW23	Glazing Bar	4.05	4.86	35#	010/TW06	Low Canopy		
8	002/TW07	Front Fire Bars	126.00	151.20	36#	010/TW05	Flat Top		
9	010/TW31J	Throat Plate	61.00	73.20	37	002/TW01	Left Hand Door	NA	
13	011/TW28S	Set of Fire Bricks (3)	106.00	127.20	38	002/TW02	Right Hand Door	NA	
14	012/TW45	Serial No. Label	NA		39	002/CH12A	Flue Collar	NA	
15	002/EW15	Side Fire Plate	34.50	41.40	40	001/TW10	Firebox (Country 8 M/F)		
16	002/EW16	Back Fire Plate	44.00	52.80	41	012/TW09	Blanking Plate	24.50	29.40
17	002/CG01	Bottom Grate Bar	16.90	20.28	42*	010/EW51	Ash Carrier (Optional Extra)	122.00	146.40
18	002/CG01S11	Set of Grate Bars (11 Per Set)	152.00	182.40	43*	012/TW43S	Extension Feet (Optional Extra)	77.00	92.40
19	004/BV17	Ashpan	81.00	97.20	44**	004/TW46	Double Glazing Frame	NA	
21	008/BW39/S	Hinge Pin Set	3.80	4.56	45	010/TW20/A	Door Opening / Ashpan Tool	NA	
22	008/FW27	Hinge Post	6.85	8.22	46	010/TW22/A	Riddling Tool	NA	
23**	012/TW03	Door Catch Assembly	NA		47	008/BV03/A	Door Catch Assembly	23.50	28.20
24**	002/TW12	Left Hand Door Knob	NA		48	002/BV12	Left Hand Door Knob	NA	
25**	012/TW10/6	Door Catch Plate	16.50	19.80	49	004/TW24L	Ash Shedding Plate Left Hand	19.80	23.76
26	012/TW14	Primary Air Slide	24.50	29.40	50	004/TW24R	Ash Shedding Plate Right Hand	19.80	23.76
27	004/TW18	Primary Air Slide Guide (Lower)	10.20	12.24	51	010/TW04	High Canopy	450.00	540.00
27a	004/BV18	Primary Air Slide Guide (Upper)	15.40	18.48	52#	010/TW33	Vert. Rear Flue Connector (Opt'l Extra)	122.00	146.40

* These items are not shown on the drawing.

** These items are only used on models prior to serial no. 1777. Prices are shown in pounds sterling with vat at 20% They are correct at the date shown but may be subject to change without notice. E. & O.E These prices are subject to a carriage charge.

To obtain spare parts please contact your local stockist giving Model, Part No. and Description. In case of difficulty contact the manufacturer at the address shown. This drawing is for identification purposes only.

