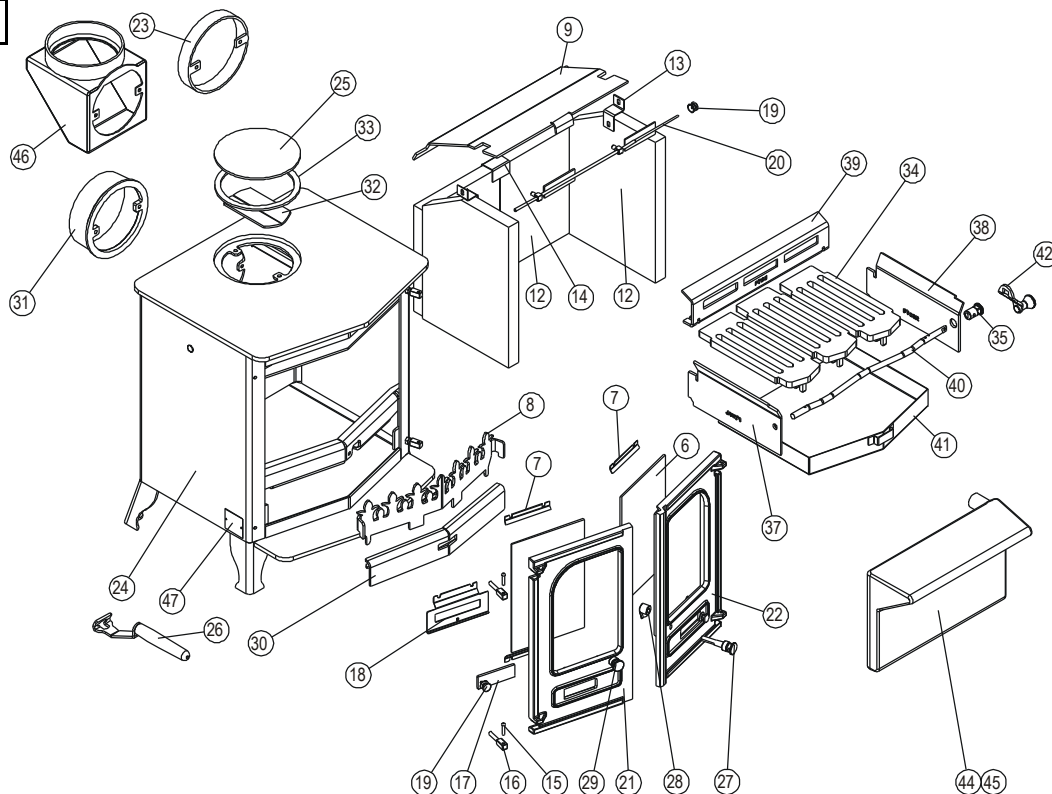




Issue K



Item	Part No.	Description	Ex.Vat.	Inc.Vat.	Item	Part No.	Description	Ex.Vat.	Inc.Vat.
3*	008/LV35/S	Door Seal Set Incl. Adhesive	27.00	32.40	28	002/AY14	Door Catch Cam	9.35	11.22
4*	008/FW29	Door Seal Adhesive	10.10	12.12	29	002/DY19	Left Hand Door Knob	13.60	16.32
5*	008/RW55	Glass Seal Kit	12.10	14.52	30	010/DY14	Wood Ash Retainer	46.00	55.20
6	006/LW30	Glass (Inc Seal)	33.00	39.60	31#	002/CH12B	Flue Collar	66.00	79.20
7	004/GV23	Glass Retainer	3.65	4.38	32	010/AY51	Clamping Plate	17.40	20.88
8	010/DY08	Fuel Retainer	56.50	67.80	33	008/NV38	Flue Fixing Rope Seal	6.85	8.22
9	010/LV31	Throat Plate	55.00	66.00	34**	002/FY03	Grate Plate	32.50	39.00
12	011/LV28S	Set of Fire Bricks	77.00	92.40	35**	002/DY21	Riddler Knob	20.00	24.00
13	004/XV30	Brick Retainer	6.75	8.10	36*	010/EW51	Ash Carrier (Optional Extra)	106.00	127.20
14	004/LV24	Rear Brick Joining Bracket	5.65	6.78	37**	010/FY05L	Side Grate Support Plate L.H.	31.00	37.20
15	008/BW39/S	Hinge Pin Set			38**	010/FY05R	Side Grate Support Plate R.H.	31.00	37.20
16	008/FW27	Hinge Post	6.20	7.44	39**	010/FY06	Rear Grate Support Plate	31.00	37.20
17	012/TW14	Primary Air Slide	22.00	26.40	40**	010/DY13	Riddler Rod	32.00	38.40
18	004/DY26	Primary Air Slide Guide	14.30	17.16	41**	004/LV17	Ashpan	71.00	85.20
19	002/TW13	Air Control Knob	16.70	20.04	42**	008/DY27	Riddling Tool	13.00	15.60
20	004/TW48	Airwash Slide	27.00	32.40	43*	008/DY23	Riddler Rod Retaining Clips (Pack of 10)	11.50	13.80
21#	002/GV01/WBA	Left Hand Door Assembly	138.00	165.60	43a	010/FY20	Multi Fuel Kit (Optional Extra)	196.00	235.20
22#	002/GV02/WBA	Right Hand Door Assembly	144.00	172.80	44	010/LV25	Boiler Steel (Optional Extra)	205.00	246.00
24	001/FY10	Firebox (Country 8 WB MkII)			45	010/LV25/SS	Boiler Stainless Steel (Optional Extra) ..	345.00	414.00
25	012/TW09	Blanking Plate	22.00	26.40	46#	010/TW33	Vert. Rear Flue Connector (Opt'l Extra)	106.00	127.20
26	012/BV20/A	Ashpan / Door Opening Tool	24.50	29.40	47	012/LV11	Serial No. Label		
27	002/DY18	R.H. Door Knob & Spindle	19.00	22.80					

* These items are not shown on the drawing.

** These items are included in the optional multi-fuel kit.

Please specify colour when ordering. Prices are shown in pounds sterling with vat at 20% They are correct at the date shown but may be subject to change without notice. E. & O.E These prices are subject to a carriage charge.

To obtain spare parts please contact your local stockist giving Model, Part No. and Description. In case of difficulty contact the manufacturer at the address shown. This drawing is for identification purposes only.

