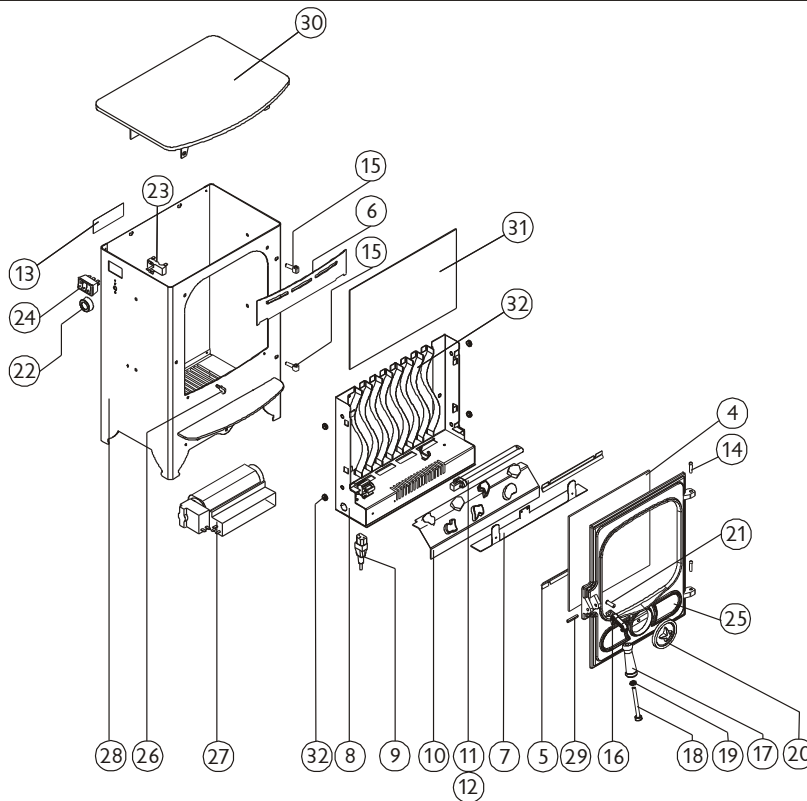




Issue C



Item	Part No.	Description	Ex.Vat.	Inc.Vat.	Item	Part No.	Description	Ex.Vat.	Inc.Vat.
1*	008/PV21	Door Seal .....	14.40	17.28	16	002/PV03	Door Catch Lever .....	23.00	27.60
2*	008/FW29	Door Seal Adhesive .....	9.10	10.92	17	008/PV08	Door Handle .....	11.50	13.80
3*	008/PV55	Glass Seal Kit .....	10.40	12.48	18	008/PV42	Handle Screw M8 x 80mm .....	1.40	1.68
4	006/PV19	Glass (Inc Seal) .....	32.00	38.40	19	008/PV43	Thakaray Washer M8 x 7mm .....	0.90	1.08
5	004/BW23	Glass Retainer .....	3.30	3.96	20	002/PV02	Door Spinner .....	15.50	18.60
6	010/JY07A	Front Fence .....	18.10	21.72	22	008/JY17	Thermostat Knob .....	4.20	5.04
7	010/JY22	Fixing Bracket .....	8.60	10.32	23	008/JY16	Thermostat .....	11.10	13.32
8	008/JY29	Flame Effect Cartridge Assembly .....	NA		24	008/JY15	Mains Switch .....	9.60	11.52
9	008/TV88	Flame Effect Lead & Plug .....	7.80	9.36	25	002/PV01	Door .....	83.00	99.60
10	008/TV13	Fibreglass Coal Effect .....	28.50	34.20	26	002/PV13	Door Latch Hook .....	7.30	8.76
11	008/TV80	Fluorescent Lamp .....	7.30	8.76	27	008/TV125	Heater Fan Unit .....	94.00	112.80
12	008/TV78	Amber Lamp Sleeve .....	2.90	3.48	28	001/JY10	Firebox .....		
13	012/JY11	Serial No. Label .....			29	008/PV44	Rollpin 6mm x 35mm .....	1.40	1.68
14	008/PV28/S	Hinge Pin Set (2 Per Set) .....	3.10	3.72	30	001/JY04	Top .....		
15	008/FW28	Hinge Post .....	5.90	7.08	31	008/TV130	Acrylic Screen For Flame Effect .....	21.50	25.80

\* These items are not shown on the drawing.  
 Prices are shown in pounds sterling with vat at 20%  
 They are correct at the date shown but may be subject to change without notice. E. & O.E  
 These prices are subject to a carriage charge.

To obtain spare parts please contact your local stockist giving Model, Part No. and Description. In case of difficulty contact the manufacturer at the address shown.  
 This drawing is for identification purposes only.

