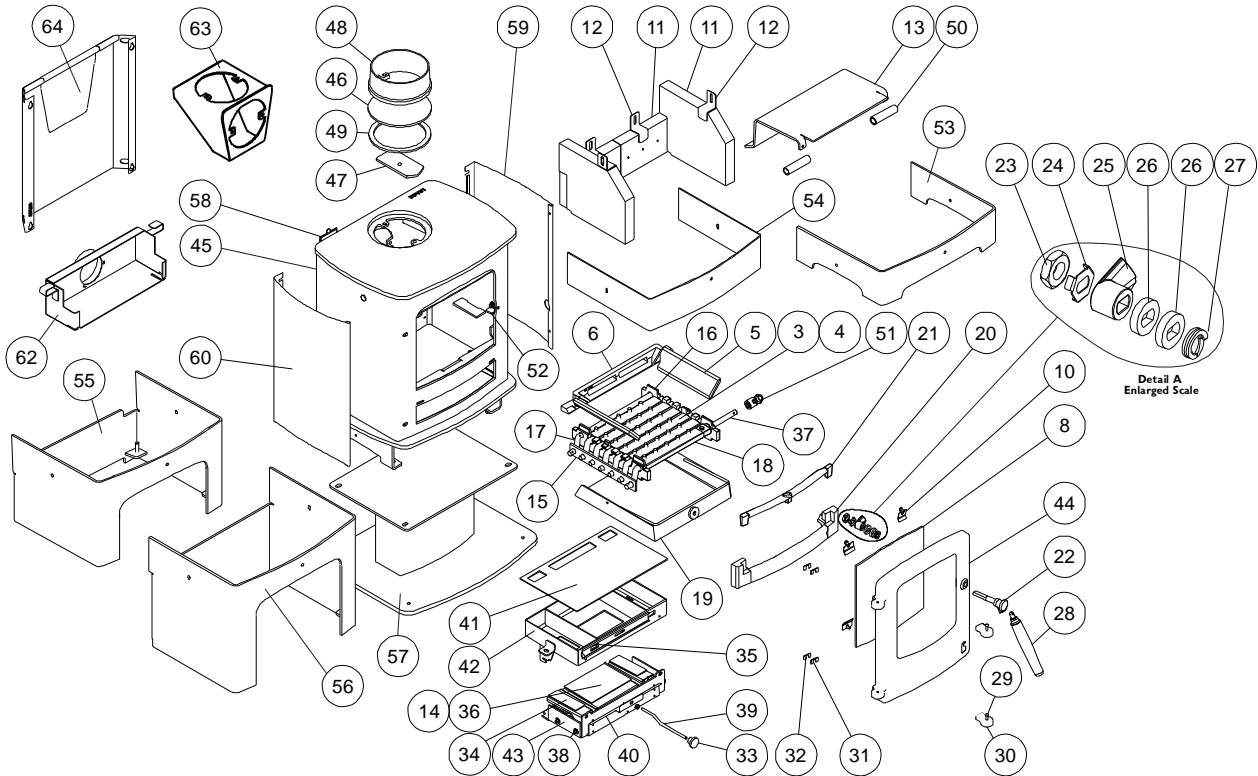




Issue C



Item	Part No.	Description	Ex.Vat.	Inc.Vat.	Item	Part No.	Description	Ex.Vat.	Inc.Vat.
1*	008/SY16S	Door Seal Set Inc.Adhesive	23.05	27.66	34	004/AY22-1S	Secondary/Bypass Air Inlet Flap	16.45	19.74
2*	008/FW29	Door Seal Adhesive	8.50	10.20	35	004/SY21	Air Bypass Slide	15.60	18.72
3	002/CG01	Bottom Grate Bar	13.05	15.66	36	004/CY22P	Primary Air Inlet Flap	17.55	21.06
4	002/CG01S5	Set of Grate Bars(5)	52.55	63.06	37	002/CG11	Driving Rod	15.85	19.02
5	002/SY15	Side Fire Plate	28.60	34.32	38	004/SY24	Flap Mounting Rod (Inc. Fixings)	7.50	9.00
6	002/HW16	Back Fire Plate	14.80	17.76	39	004/SY27	Air Control Rod	10.95	13.14
8	006/SY18	Glass (Inc Seal)	69.95	83.94	40	004/SY23	Actuator Assembly	38.05	45.66
9*	008/SY43	Glass Seal	8.75	10.50	41	008/SY13	Upper Quattro Box Gasket	14.40	17.28
10	004/KV23	Glass Retainer	0.52	0.62	42	010/SY20	Upper Quattro Box	58.70	70.44
11	011/SY29S	Set of Fire Bricks (4)	76.00	91.20	43	010/SY19	Lower Quattro Box	38.35	46.02
12	004/XV30	Brick Retainer	5.65	6.78	44#	002/SX01/A	Door Assembly	157.15	188.58
13	010/SY31	Throat Plate	41.05	49.26	45	001/SX10	Firebox (Cove1 MkII)		
14	008/SY26S	Set of Air Inlet Flap Pads	12.95	15.54	46	012/PV09	Blanking Plate	18.75	22.50
15	012/SY33	Mover Bar	33.00	39.60	47	010/EY51	Clamping Plate	14.80	17.76
16	002/SY30	Carrier Bar	40.25	48.30	48#	002/PV12B	Flue Collar	43.15	51.78
17	012/CG05	Idler Rod	25.85	31.02	49	008/EY38	Flue Fixing Rope Seal	5.70	6.84
18	002/CG12	Driving Gratebar	32.50	39.00	50	010/SY06	Throatplate Support Tube	2.45	2.94
19	004/SX17	Ashpan	53.45	64.14	51	002/PX89	Riddler Knob	27.20	32.64
20	002/SY07	Front Firebar	44.05	52.86	52	010/PY38	Door Catch Stop	2.65	3.18
21	002/SY08	Deepening Bar	35.60	42.72	53#	010/SX32	Low Arch Stand	53.00	63.60
22	002/PX92	Door Knob & Spindle	17.55	21.06	54#	010/SY11	Low Stand	53.00	63.60
23	008/FFN001	M12 Half Nut	0.15	0.18	55#	010/SX35	Midi Stand	130.00	156.00
24	004/ST008	Tabbed Locking Washer	1.02	1.22	56#	010/SY02	Store Stand	145.00	174.00
25	002/AY14	Door Catch	7.90	9.48	57#	010/SY12	Centre Stand	90.00	108.00
26	010/ST031	Door Catch Spacer	1.45	1.74	58	012/SX11	Serial No. Label		
27	008/FFW015	M12 Double Coil Spring Washer	1.55	1.86	59#	005/SX93R	RH Curved Side Panel	20.35	24.42
28	008/PX95	Door/Riddling/Ashpan Tool	26.45	31.74	60#	005/SX93L	LH Curved Side Panel	20.35	24.42
29	008/BW39/S	Hinge Pin Set	2.80	3.36	61*	010/EW51	Ash Carrier (Optional Extra)	84.00	100.80
30	002/PY24	Hinge Post	12.75	15.30	62	010/TH61	External Air Manifold Kit	88.50	106.20
31	004/PY25B	Hinge Post Shim 0.9mm	0.39	0.47	63#	010/BU034	Vert. Rear Flue Adapter (Opt'l Extra) ..	85.00	102.00
32	004/PY25A	Hinge Post Shim 2mm	0.39	0.47	64#	010/SX80	Heat Shield	46.00	55.20
33	008/AY37	Air Control Knob	3.70	4.44					

*These items are not shown on the drawing.

Please specify colour when ordering.

Prices are shown in pounds sterling with vat at 20%

They are correct at the date shown but may be subject to change without notice. E. & O.E

These prices are subject to a carriage charge

To obtain spare parts please contact your local stockist giving Model, Part No. and Description. In case of difficulty contact the manufacturer at the address shown.

This drawing is for identification purposes only.

