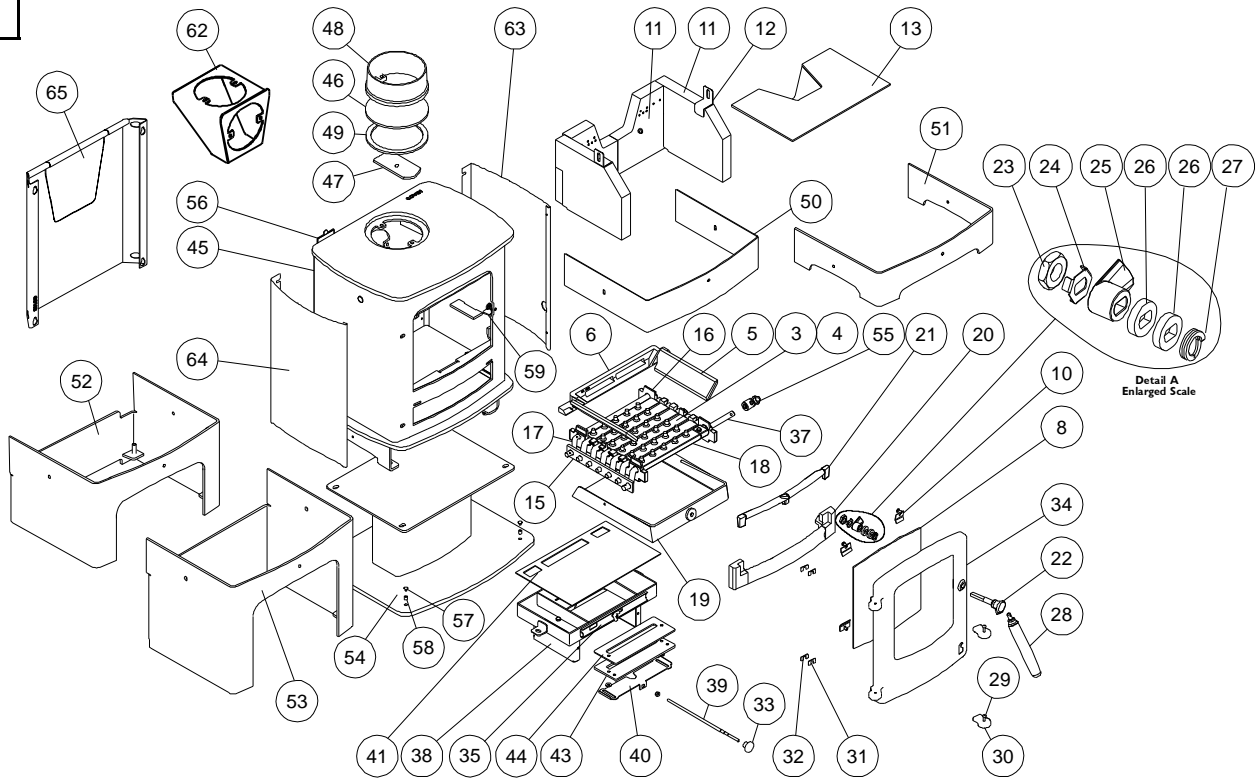




Issue D



Item	Part No.	Description	Ex.Vat.	Inc.Vat.	Item	Part No.	Description	Ex.Vat.	Inc.Vat.
1*	008/SY16S	Door Seal Set Inc.Adhesive .....	24.50	29.40	34#	002/SY01/A	Door Assembly .....	168.00	201.60
2*	008/FW29	Door Seal Adhesive .....	9.10	10.92	35	004/SY21	Air Bypass Slide .....	16.70	20.04
3	002/CG01	Bottom Grate Bar .....	13.90	16.68	37	002/CG11	Driving Rod .....	16.90	20.28
4	002/CG01SS	Set of Grate Bars(5) .....	56.50	67.80	38	010/JS20	Air Supply Box .....	52.00	62.40
5	002/SY15	Side Fire Plate .....	31.00	37.20	39	004/CY32	Air Control Rod .....	12.30	14.76
6	002/HW16	Back Fire Plate .....	15.80	18.96	40	004/JS21	Primary Air Slide .....	11.40	13.68
8	006/SY18	Glass (Inc Seal) .....	75.00	90.00	41	008/SY13	Upper Quattro Box Gasket .....	15.30	18.36
9*	008/SY43	Glass Seal .....	9.30	11.16	42	008/JS15	PTFE Slide .....	15.10	18.12
10	004/KV23	Glass Retainer .....	0.57	0.68	44	010/JS14	Slide Spacer Plate .....	11.10	13.32
11	011/JS29S	Set of Fire Bricks (4) .....	82.00	98.40	45	001/JX10	Firebox (Cove1SR Mk2)		
12	004/XV30	Brick Retainer .....	6.10	7.32	46	012/PV09	Blanking Plate .....	19.90	23.88
13	010/JS31	Throat Plate .....	52.00	62.40	47	010/EY51	Clamping Plate .....	15.80	18.96
15	012/SY33	Mover Bar .....	35.50	42.60	48#	002/PV12B	Flue Collar .....	46.00	55.20
16	002/SY30	Carrier Bar .....	43.00	51.60	49	008/EY38	Flue Fixing Rope Seal .....	6.20	7.44
17	012/CG05	Idler Rod .....	28.00	33.60	50#	010/SY11	Low Stand .....	56.00	67.20
18	002/CG12	Driving Gratebar .....	35.00	42.00	51#	010/SX32	Low Arch Stand .....	56.00	67.20
19	004/PX17	Ashpan .....	63.00	75.60	52#	010/SX35	Midi Stand .....	136.00	163.20
20	002/SY07	Front Firebar .....	47.00	56.40	53#	010/SY02	Store Stand .....	154.00	184.80
21	002/SY08	Deepening Bar .....	38.50	46.20	54#	010/SY12	Centre Stand .....	107.00	128.40
22	002/PX92	Door Knob & Spindle .....	18.70	22.44	55	002/PX89	Riddler Knob .....	29.50	35.40
23	008/FFN001	M12 Half Nut .....	0.17	0.20	56	012/JS25	Serial No. Label .....		NA
24	004/ST008	Tabbed Locking Washer .....	1.20	1.44	57	008/FFS068	Levelling Screw - M8 x 10mm Grub Scr	0.74	0.89
25	002/AY14	Door Catch .....	8.50	10.20	58	008/FFM039	Decorative Cap .....	0.57	0.68
26	010/ST031	Door Catch Spacer .....	1.70	2.04	59	010/PY38	Door Catch Stop .....	2.90	3.48
27	008/FFW015	M12 Double Coil Spring Washer .....	1.80	2.16	60	010/EW51	Ash Carrier (Optional Extra) .....	92.00	110.40
28	008/PX95	Door/Riddling/Ashpan Tool .....	29.00	34.80	61*	010/JS52	External Air Manifold Kit (Opt'l Extra) .	82.00	98.40
29	008/BW39/S	Hinge Pin Set .....	3.10	3.72	62#	010/BU034	Vert. Rear Flue Adapter (Opt'l Extra) ..	92.00	110.40
30	002/PY24	Hinge Post .....	13.60	16.32	63#	005/SX93R	RH Curved Side Panel (Opt'l Extra) .....	20.35	24.42
31	004/PY25B	Hinge Post Shim 0.9mm .....	0.42	0.50	64#	005/SX93L	LH Curved Side Panel (Opt'l Extra) .....	20.35	24.42
32	004/PY25A	Hinge Post Shim 2mm .....	0.42	0.50	65#	010/SX80	Heatshield (Opt'l Extra) .....	51.00	61.20
33	008/AY37	Air Control Knob .....	4.00	4.80					

\* These items are not shown on the drawing.  
 # Please specify colour when ordering.  
 Prices are shown in pounds sterling with vat at 20%  
 They are correct at the date shown but may be subject to change without notice. E. & O.E  
 These prices are subject to a carriage charge

To obtain spare parts please contact your local stockist giving Model, Part No. and Description. In case of difficulty contact the manufacturer at the address shown.  
 This drawing is for identification purposes only.

