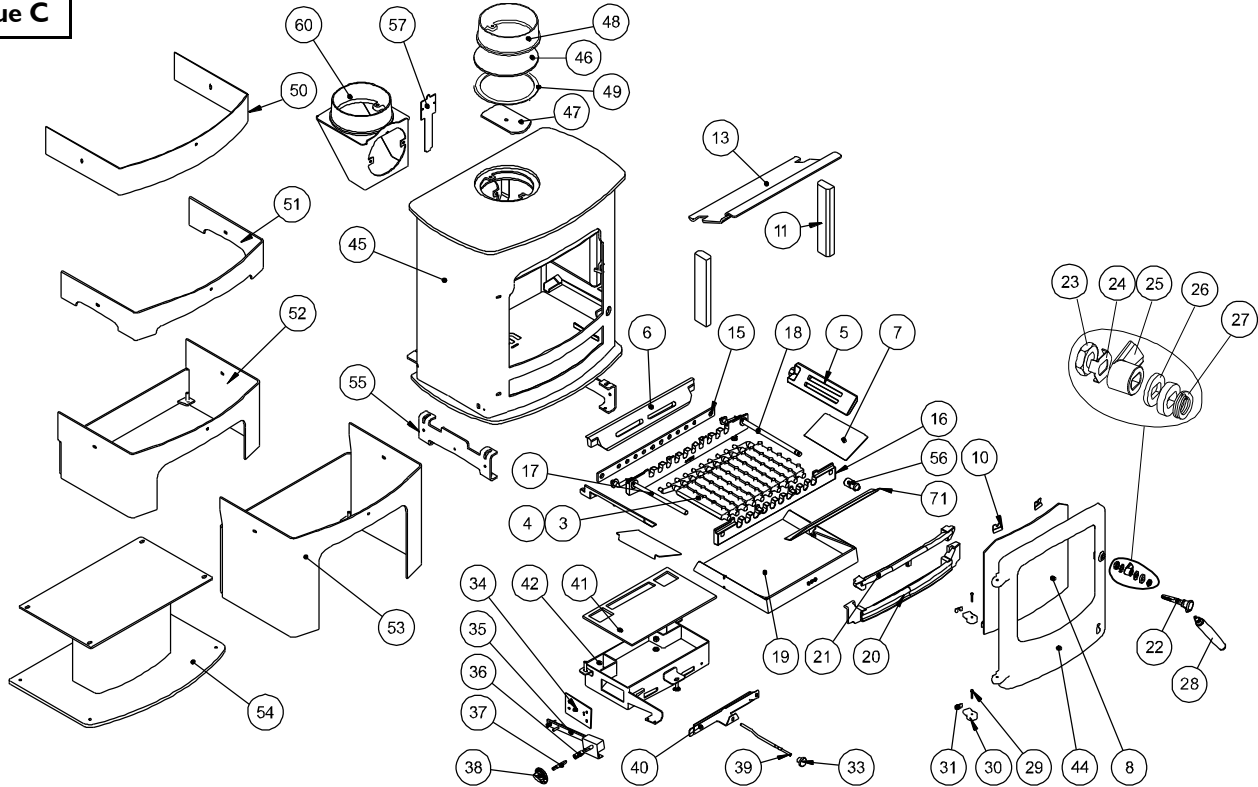




Issue C



Item	Part No.	Description	Ex.Vat.	Inc.Vat.	Item	Part No.	Description	Ex.Vat.	Inc.Vat.
1*	008/PY235	Door Seal Set Inc.Adhesive	30.00	36.00	31	004/PY25B	Hinge Post Shim 0.9mm	0.52	0.62
2*	008/FW29	Door Seal Adhesive	11.20	13.44	33	008/AY37	Air Control Knob	4.85	5.82
3	002/CG20	Bottom Grate Bar	16.90	20.28	34	008/FV49	Thermostat Flap	10.00	12.00
4	002/CG20S10	Set of Grate Bars (10)	138.00	165.60	35	008/FW48	Thermostat	54.50	65.40
5	002/CY15	Side Fire Plate	36.00	43.20	36	004/CS18	Thermostat Connector Tube	16.80	20.16
6	002/AY16	Back Fire Plate	63.00	75.60	37	004/FS16	Thermostat Extension Rod	13.90	16.68
7	004/FS19	Ash Shedding Plate	19.20	23.04	38	008/BW50	Thermostat Knob	4.85	5.82
8	006/PY18	Glass (Inc Seal)	122.00	146.40	39	004/PY32	Air Control Rod	15.00	18.00
9	008/PY45	Glass Seal	12.10	14.52	40	004/FS21	Secondary Air Slide	21.50	25.80
10	004/KV23	Glass Retainer	0.70	0.84	41	008/DS12	Thermostat Box Gasket	20.00	24.00
11	011/FS09S	Set of Fire Bricks (2)	30.50	36.60	42	010/FS20	Thermostat Box	57.00	68.40
13	010/FS31	Throat Plate	38.50	46.20	44#	002/PX01/A	Door Assembly	260.00	312.00
15	012/AY33	Mover Bar	48.00	57.60	45	001/FX10B	Firebox (Cove2B)		
16	002/AY30	Carrier Bar	52.50	63.00	46	012/TW09	Blanking Plate	24.50	29.40
17	012/AY13	Idler Rod	34.50	41.40	47	010/AY51	Clamping Plate	19.20	23.04
18	012/AY15	Riddler Rod	35.50	42.60	48#	002/CH12B	Flue Collar	73.00	87.60
19	004/PX17	Ashpan	77.00	92.40	49	008/NV38	Flue Fixing Rope Seal	7.55	9.06
20	002/AY07B	Front Firebar	57.00	68.40	50#	010/PY36	Low Stand	75.00	90.00
21	002/FS08	Deepening Bar	70.00	84.00	51#	010/PX32	Low Arch Stand	75.00	90.00
22	002/PX92	Door Knob & Spindle	23.50	28.20	52#	010/PX35	Midi Stand	182.00	218.40
23	008/FFN001	M12 Half Nut	0.21	0.25	53#	010/PY33	Store Stand	205.00	246.00
24	004/ST008	Tabbed Locking Washer	1.46	1.75	54#	010/PY34	Centre Stand	146.00	175.20
25	002/AY14	Door Catch	10.30	12.36	55	010/PX37	Stand Fixing Bracket	27.50	33.00
26	010/ST031	Door Catch Spacer	2.10	2.52	56	002/PX89	Riddler Knob	36.00	43.20
27	008/FFW015	M12 Double Coil Spring Washer	2.20	2.64	57	012/FS11	Serial No. Label	NA	
28	008/PX95	Door/Riddling/Ashpan Tool	35.50	42.60	58	010/PY38	Door Catch Stop	3.55	4.26
29	008/BW39/S	Hinge Pin Set	3.80	4.56	59*	010/BW51	Ash Carrier (Optional Extra)	122.00	146.40
30	002/PY24	Hinge Post	16.50	19.80	60#	010/TW33	Vert. Rear Flue Connector (Opt'l Extra)	122.00	146.40

*These items are not shown on the drawing
 # Please specify colour when ordering Prices are shown in pounds sterling with vat at 20% They are correct at the date shown but may be subject to change without notice. E. & O.E These prices are subject to a carriage charge

To obtain spare parts please contact your local stockist giving Model, Part No. and Description. In case of difficulty contact the manufacturer at the address shown. This drawing is for identification purposes only.

