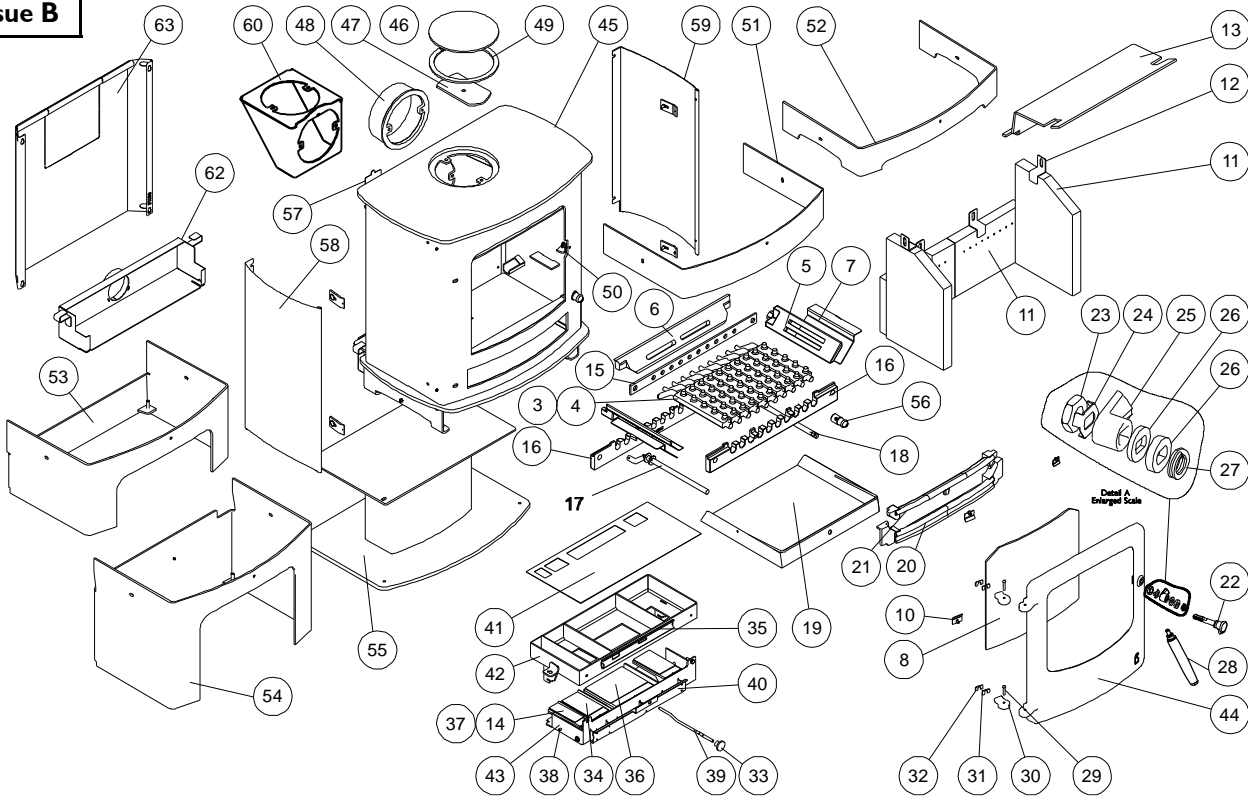


Issue B



Item	Part No.	Description	Ex.Vat.	Inc.Vat.	Item	Part No.	Description	Ex.Vat.	Inc.Vat.
1*	008/PY23S	Door Seal Set Inc.Adhesive	24.50	29.40	33	008/AY37	Air Control Knob	4.00	4.80
2*	008/FW29	Door Seal Adhesive	9.10	10.92	34	004/CY22S	Secondary Air Inlet Flap	18.10	21.72
3	002/CG20	Bottom Grate Bar	13.90	16.68	35	004/CY21	Air Bypass Slide	17.60	21.12
4	002/CG20S10	Set of Grate Bars (10)	112.00	134.40	36	004/CY22P	Primary Air Inlet Flap	18.70	22.44
5	002/CY15	Side Fire Plate	29.50	35.40	37	004/AY22-1S	Secondary/Bypass Air Inlet Flap	17.60	21.12
6	002/AY16	Back Fire Plate	51.00	61.20	38	004/CY24	Flap Mounting Rod (Inc. Fixings)	9.10	10.92
7	004/BY24	Ash Shedding Plate	13.90	16.68	39	004/PY32	Air Control Rod	12.30	14.76
8	006/PY18	Glass (Inc Seal)	99.00	118.80	40	004/CY23	Actuator Assembly	43.00	51.60
9*	008/PY45	Glass Seal	10.00	12.00	41	008/RV16	Upper Quattro Box Gasket	15.30	18.36
10	004/KV23	Glass Retainer	0.57	0.68	42	010/PY20	Upper Quattro Box	64.00	76.80
11	011/PY29S	Set of Fire Bricks (4)	89.00	106.80	43	010/CY19	Lower Quattro Box	43.00	51.60
12	004/XV30	Brick Retainer	6.10	7.32	44#	002/PX01/A	Door Assembly	210.00	252.00
13	010/PY31	Throat Plate	50.50	60.60	45	001/PX10	Firebox (Cove 2 MkII)		
14	008/CY26S	Set of Air Inlet Flap Pads	17.10	20.52	46	012/TW09	Blanking Plate	19.90	23.88
15	012/AY33	Mover Bar	39.50	47.40	47	010/AY51	Clamping Plate	15.80	18.96
16	002/AY30	Carrier Bar	43.00	51.60	48#	002/CH12B	Flue Collar	59.50	71.40
17	012/AY13	Idler Rod	28.00	33.60	49	008/NV38	Flue Fixing Rope Seal	6.20	7.44
18	012/AY15	Riddler Rod	29.00	34.80	50	010/PY38	Door Catch Stop	2.90	3.48
19	004/PX17	Ashpan	63.00	75.60	51#	010/PY36	Low Stand	56.00	67.20
20	002/AY07B	Front Firebar	46.50	55.80	52#	010/PX32	Low Arch Stand	56.00	67.20
21	002/AY08	Deepening Bar	41.50	49.80	53#	010/PX35	Mid Stand	136.00	163.20
22	002/PX92	Door Knob & Spindle	18.70	22.44	54#	010/PY33	Store Stand	153.00	183.60
23	008/FFN001	M12 Half Nut	0.17	0.20	55#	010/PY34	Centre Stand	108.00	129.60
24	004/ST008	Tabbed Locking Washer	1.20	1.44	56	002/PX89	Riddler Knob	29.50	35.40
25	002/AY14	Door Catch	8.50	10.20	57	012/PX19	Serial No. Label		
26	010/ST031	Door Catch Spacer	1.70	2.04	58#	005/PX93L	LH Curved Side Panel	26.05	31.26
27	008/FFW015	M12 Double Coil Spring Washer	1.80	2.16	59#	005/PX93R	RH Curved Side Panel	26.05	31.26
28	008/PX95	Door/Riddling/Ashpan Tool	29.00	34.80	60#	010/TW33	Vert. Rear Flue Connector (Opt'l Extra)	92.00	110.40
29	008/BW39/S	Hinge Pin Set	3.10	3.72	61*	010/BW51	Ash Carrier (Optional Extra)	92.00	110.40
30	002/PY24	Hinge Post	13.60	16.32	62	010/TH62	External Air Manifold Kit (Optional Extr	95.00	114.00
31	004/PY25B	Hinge Post Shim 0.9mm	0.42	0.50	63#	010/PX80	Heatshield (Optional Extra)	62.00	74.40
32	004/PY25A	Hinge Post Shim 2mm	0.42	0.50					

*These items are not shown on the drawing.

Please specify colour when ordering.

Prices are shown in pounds sterling with vat at 20%

They are correct at the date shown but may be subject to change without notice. E. & O.E

These prices are subject to a carriage charge.

To obtain spare parts please contact your local stockist giving Model, Part No. and Description. In case of difficulty contact the manufacturer at the address shown.

This drawing is for identification purposes only.

