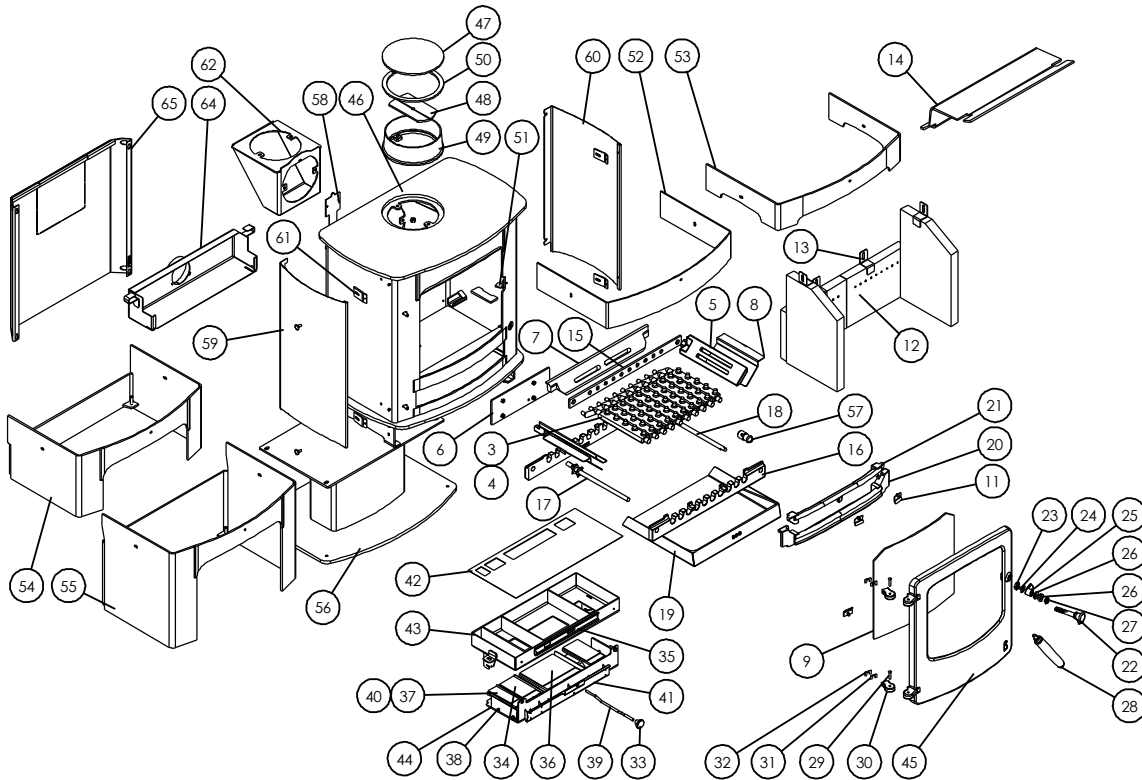




Issue A



| Item | Part No. | Description | Ex.Vat. | Inc.Vat. | Item | Part No. | Description | Ex.Vat. | Inc.Vat. |
|------|-------------|-------------------------------------|---------|----------|------|-------------|--|---------|----------|
| 1* | 008/PY23S | Door Seal Set Inc.Adhesive | 24.50 | 29.40 | 34 | 004/CY22S | Secondary Air Inlet Flap | 18.10 | 21.72 |
| 2* | 008/FW29 | Door Seal Adhesive | 9.10 | 10.92 | 35 | 004/CY21 | Air Bypass Slide | 17.60 | 21.12 |
| 3 | 002/CG20 | Bottom Grate Bar | 13.90 | 16.68 | 36 | 004/CY22P | Primary Air Inlet Flap | 18.70 | 22.44 |
| 4 | 002/CG20S10 | Set of Grate Bars (10) | 112.00 | 134.40 | 37 | 004/AY22-1S | Secondary/Bypass Air Inlet Flap | 17.60 | 21.12 |
| 5 | 002/CY15 | Side Fire Plate | 29.50 | 35.40 | 38 | 004/CY24 | Flap Mounting Rod (Inc. Fixings) | 9.10 | 10.92 |
| 6 | 010/HS12 | Undergrate Blanking Plate | 12.90 | 15.48 | 39 | 004/PY32 | Air Control Rod | 12.30 | 14.76 |
| 7 | 002/AY16 | Back Fire Plate | 51.00 | 61.20 | 40 | 008/CY26S | Set of Air Inlet Flap Pads | 17.10 | 20.52 |
| 8 | 004/BY24 | Ash Shedding Plate | 13.90 | 16.68 | 41 | 004/CY23 | Actuator Assembly | 43.00 | 51.60 |
| 9 | 006/PY18 | Glass (Inc Seal) | 99.00 | 118.80 | 42 | 008/RV16 | Upper Quattro Box Gasket | 15.30 | 18.36 |
| 10* | 008/PY45 | Glass Seal | 10.00 | 12.00 | 43 | 010/PY20 | Upper Quattro Box | 64.00 | 76.80 |
| 11 | 004/KV23 | Glass Retainer | 0.57 | 0.68 | 44 | 010/CY19 | Lower Quattro Box | 43.00 | 51.60 |
| 12 | 011/PXE129S | Set of Fire Bricks | 69.00 | 82.80 | 45# | 002/PX01/A | Door Assembly | 210.00 | 252.00 |
| 13 | 004/XV30 | Brick Retainer | 6.10 | 7.32 | 46 | 001/PX10 | Firebox (Cove 2 MkII) | | |
| 14 | 010/PY31 | Throat Plate | 50.50 | 60.60 | 47 | 012/TW09 | Blanking Plate | 19.90 | 23.88 |
| 15 | 012/AY33 | Mover Bar | 39.50 | 47.40 | 48 | 010/AY51 | Clamping Plate | 15.80 | 18.96 |
| 16 | 002/AY30 | Carrier Bar | 43.00 | 51.60 | 49# | 002/CH12B | Flue Collar | 59.50 | 71.40 |
| 17 | 012/AY13 | Idler Rod | 28.00 | 33.60 | 50 | 008/NV38 | Flue Fixing Rope Seal | 6.20 | 7.44 |
| 18 | 012/AY15 | Riddler Rod | 29.00 | 34.80 | 51 | 010/PY38 | Door Catch Stop | 2.90 | 3.48 |
| 19 | 004/PX17 | Ashpan | 63.00 | 75.60 | 52# | 010/PY36 | Low Stand | 56.00 | 67.20 |
| 20 | 002/AY07B | Front Firebar | 46.50 | 55.80 | 53# | 010/PX32 | Low Arch Stand | 56.00 | 67.20 |
| 21 | 002/AY08 | Deepening Bar | 41.50 | 49.80 | 54# | 010/PX35 | Mid Stand | 136.00 | 163.20 |
| 22 | 002/PX92 | Door Knob & Spindle | 18.70 | 22.44 | 55# | 010/PY33 | Store Stand | 153.00 | 183.60 |
| 23 | 008/FFN001 | M12 Half Nut | 0.17 | 0.20 | 56# | 010/PY34 | Centre Stand | 108.00 | 129.60 |
| 24 | 004/ST008 | Tabbed Locking Washer | 1.20 | 1.44 | 57 | 002/PX89 | Riddler Knob | 29.50 | 35.40 |
| 25 | 002/AY14 | Door Catch | 8.50 | 10.20 | 58 | 012/PXE011 | Serial No. Label | | |
| 26 | 010/ST031 | Door Catch Spacer | 1.70 | 2.04 | 59# | 005/PX93L | LH Curved Side Panel | 26.05 | 31.26 |
| 27 | 008/FFW015 | M12 Double Coil Spring Washer | 1.80 | 2.16 | 60# | 005/PX93R | RH Curved Side Panel | 26.05 | 31.26 |
| 28 | 008/PX95 | Door/Riddling/Ashpan Tool | 29.00 | 34.80 | 61 | 010/PX96 | Panel Fixing Bracket | 8.80 | 10.56 |
| 29 | 008/BW39/S | Hinge Pin Set | 3.10 | 3.72 | 62# | 010/TW33 | Vert. Rear Flue Connector (Opt'l Extra) | 92.00 | 110.40 |
| 30 | 002/PY24 | Hinge Post | 13.60 | 16.32 | 63 | 010/BW51 | Ash Carrier (Optional Extra) | 92.00 | 110.40 |
| 31 | 004/PY25B | Hinge Post Shim 0.9mm | 0.42 | 0.50 | 64 | 010/TH62 | External Air Manifold Kit (Optional Extr | 95.00 | 114.00 |
| 32 | 004/PY25A | Hinge Post Shim 2mm | 0.42 | 0.50 | 65# | 010/PX80 | Heatshield (Optional Extra) | 62.00 | 74.40 |
| 33 | 008/AY37 | Air Control Knob | 4.00 | 4.80 | | | | | |

* These items are not shown on the drawing.

Please specify colour when ordering.

Prices are shown in pounds sterling with vat at 20%

They are correct at the date shown but may be subject to change without notice. E. & O.E

These prices are subject to a carriage charge.

To obtain spare parts please contact your local stockist giving Model, Part No. and Description. In case of difficulty contact the manufacturer at the address shown.

This drawing is for identification purposes only.

