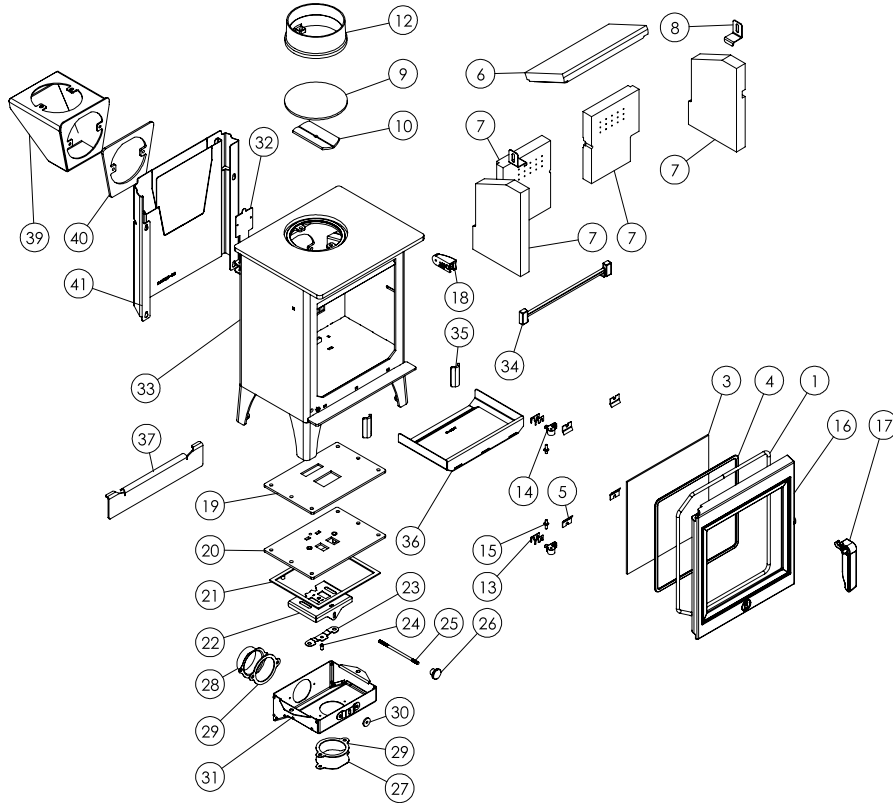




Issue B



Item	Part No.	Description	Ex.Vat.	Inc.Vat.	Item	Part No.	Description	Ex.Vat.	Inc.Vat.
1	008/LE035	Door Seal (Inc Adhesive)	16.50	19.80	22	004/AA115	Slider	11.60	13.92
2*	008/FW29	Door Seal Adhesive	11.20	13.44	23	004/BR015	Clicker Retainer Plate	3.55	4.26
3	006/PV19	Glass (Inc Seal)	39.50	47.40	24	008/ES36/01	Brass Ball Catch	4.55	5.46
4	008/PV55	Glass Seal	12.70	15.24	25	004/AA084	Control Rod	14.60	17.52
5	004/KV23	Glass Retainer	0.70	0.84	26	008/AY37	Air Control Handle	4.85	5.82
6	011/AA031	Throat Plate	32.00	38.40	27	004/BR054	Cover Plate	9.85	11.82
7	011/AA028S	Set of Fire Bricks	66.00	79.20	28	004/BR053	Air Inlet Spigot	26.00	31.20
8	004/XV30	Brick Bracket	7.45	8.94	29	008/BR044	Air Inlet Gasket	10.60	12.72
9	012/PV09	Blanking Plate	24.50	29.40	30	008/BR052	Felt Washer	1.14	1.37
10	010/EY51	Clamping Plate	19.20	23.04	31	004/LE040	Airbox Cover		
11*	008/EY38	Flue Fixing Rope Seal	7.55	9.06	32	012/LE011	Serial No. Label		
12#	002/PV12B	Flue Collar	56.50	67.80	33#	001/LE010	Firebox		
13	004/BR021	Hinge Shim	0.57	0.68	34	002/AA008	Front Fence	30.50	36.60
14	002/BR020	Hinge	11.80	14.16	35	010/AA009	Fence Support	9.10	10.92
15	008/ST068/2	Hinge Pin Set	3.55	4.26	36	004/AA017	Ashpan	34.50	41.40
16#	003/LE001A	Door Assembly	128.00	153.60	37	010/AA006	Ash Retainer (Optional Extra)	26.00	31.20
17#	003/AB012A	Door Handle	38.50	46.20	38*	010/EW51	Ash Carrier (Optional Extra)	122.00	146.40
18#	003/AB055A	Latch Receiver	29.00	34.80	39#	010/BU034	Vert Rear Flue Adaptor (Opt'l Extra) ...	122.00	146.40
19	008/LE110	Air Control Gasket	9.50	11.40	40	010/AA081	Vert Rear Flue Adaptor Spacer	17.60	21.12
20	010/LE113	Air Control Plate	14.80	17.76	41#	010/LE080	Heat Shield (Optional Extra)	74.00	88.80
21	008/LE045	Lower Airbox Gasket	8.00	9.60					

*These items are not shown on the drawing.

Please specify colour when ordering. Prices are shown in pounds sterling with vat at 20% They are correct at the date shown but may be subject to change without notice. E. & O.E These prices are subject to a carriage charge

To obtain spare parts please contact your local stockist giving Model, Part No. and Description. In case of difficulty contact the manufacturer at the address shown. This drawing is for identification purposes only.

