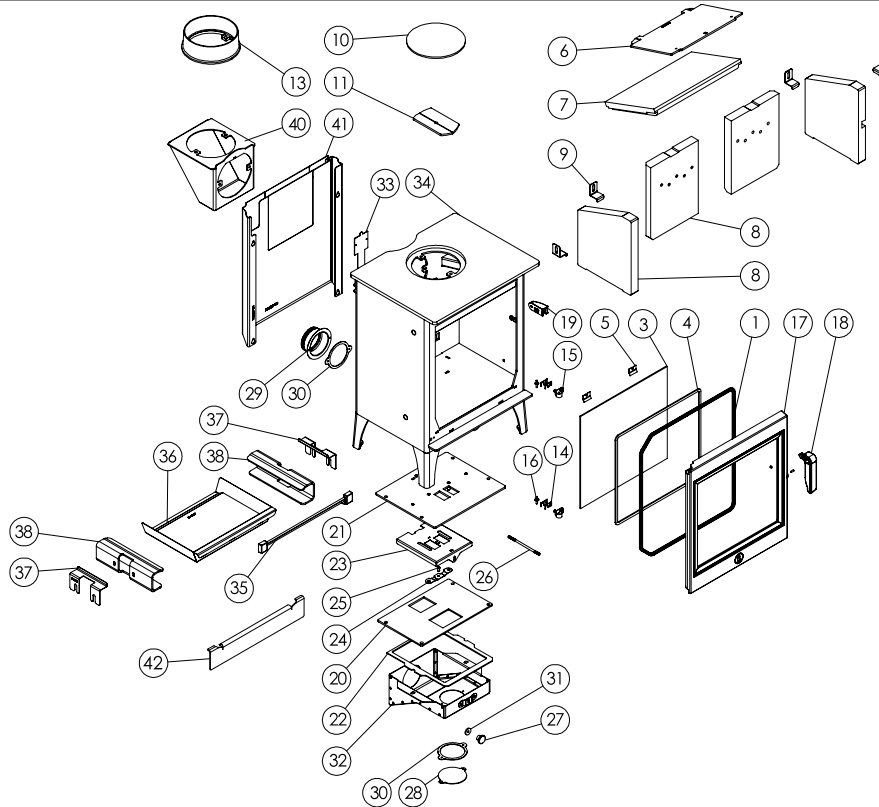




Issue C



Item	Part No.	Description	Ex.Vat.	Inc.Vat.	Item	Part No.	Description	Ex.Vat.	Inc.Vat.
1	008/AB035	Door Seal (Inc Adhesive)	12.70	15.24	22	008/LC045	Air Control Cover Gasket	9.35	11.22
2*	008/FW29	Door Seal Adhesive	11.20	13.44	23	004/AB115	Slider	12.70	15.24
3	006/AB018	Glass (Inc Seal)	53.00	63.60	24	004/BR015	Clicker Retainer Plate	3.55	4.26
4	008/EW45	Glass Seal	13.40	16.08	25	008/ES36/01	Brass Ball Catch	4.55	5.46
5	004/KV23	Glass Retainer	0.70	0.84	26	004/AA084	Control Rod	14.60	17.52
6	010/AB045	Upper Throat Plate	30.00	36.00	27	008/AY37	Air Control Handle	4.85	5.82
7	011/AB031	Throat Plate	34.00	40.80	28	004/CR064	Cover Plate	9.85	11.82
8	011/AB028S	Set of Fire Bricks	63.00	75.60	29	004/CR048	Air Inlet Spigot	NA	
9	004/XV30	Brick Bracket	7.45	8.94	30	008/CR063	Air Inlet Gasket	4.85	5.82
10	012/TW09	Blanking Plate	24.50	29.40	31	008/BR052	Felt Washer	1.14	1.37
11	010/AY51	Clamping Plate	19.20	23.04	32	004/LC040	Airbox Cover	24.50	29.40
12*	008/NV38	Flue Fixing Rope Seal	7.55	9.06	33	012/LC011	Serial No. Label		
13#	002/CH12B	Flue Collar	73.00	87.60	34	001/LC010	Firebox		
14	004/BR021	Hinge Shim	0.57	0.68	35	002/AB008	Front Fence	31.50	37.80
15	002/BR020	Hinge	11.80	14.16	36	004/AB017	Ashpan	36.50	43.80
16	008/ST068/2	Hinge Pin Set	3.55	4.26	37	004/AB044	Brick Retainer	7.30	8.76
17#	003/LC001A	Door Assembly	150.00	180.00	38	010/AB016	Side Plate	24.50	29.40
18#	003/AB012A	Door Handle	38.50	46.20	39*	010/EW51	Ash Carrier (Optional Extra)	122.00	146.40
19#	003/AB055A	Latch Receiver	29.00	34.80	40#	010/TW33	Vert Rear Flue Adaptor (Opt'l Extra) ...	122.00	146.40
20	008/AB110	Air Control Gasket	9.35	11.22	41#	010/LC080	Heat Shield (Optional Extra)	81.00	97.20
21	010/LC130	Air Control Plate	16.50	19.80	42	010/AB006	Ash Retainer (Optional Extra)	27.50	33.00

*These items are not shown on the drawing.

Please specify colour when ordering. Prices are shown in pounds sterling with vat at 20% They are correct at the date shown but may be subject to change without notice. E. & O.E These prices are subject to a carriage charge.

To obtain spare parts please contact your local stockist giving Model, Part No. and Description. In case of difficulty contact the manufacturer at the address shown. This drawing is for identification purposes only.

