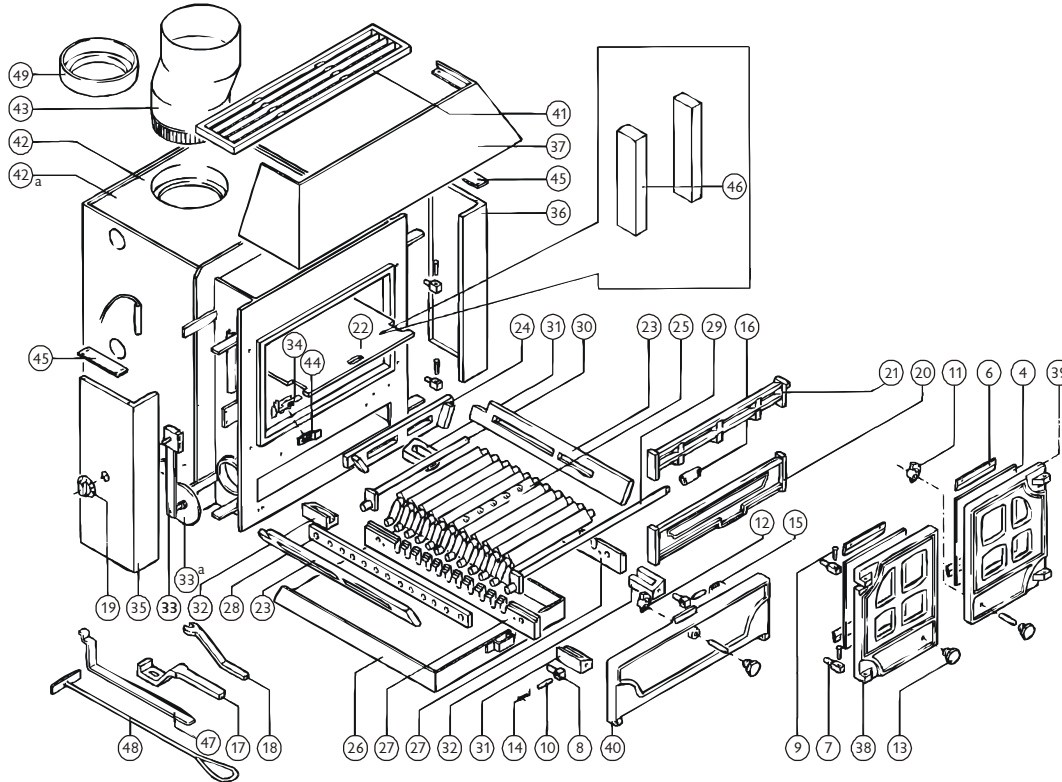




**Issue E**



Item	Part No.	Description	Ex.Vat.	Inc.Vat.	Item	Part No.	Description	Ex.Vat.	Inc.Vat.
*	008/EW35S	Door Seal Set Inc Adhesive .....	32.50	39.00	28	012/EW33	Mover Bar .....	52.00	62.40
*	008/EW45	Glass Seal Kit .....	14.50	17.40	29	012/FW14	Riddler Rod .....	39.00	46.80
*	008/FW29	Door Seal Adhesive .....	7.50	9.00	30	012/CG05	Idler Rod .....	37.50	45.00
4	006/FW30	Glass (Inc Seal) .....	47.00	56.40	31	002/CG07	Carrier Bar Support L.H. ....	9.45	11.34
6	004/EW23	Glazing Bar .....	4.40	5.28	32	002/CG08	Carrier Bar Support R.H. ....	9.45	11.34
7	008/FW27	Hinge Post .....	7.40	8.88	33	008/FW48	Thermostat .....	59.00	70.80
8	008/FW28	Hinge Pin .....	7.75	9.30	33a	008/BW57	Thermostat Flap 90mm Dia .....	10.10	12.12
9	008/BW39/S	Hinge Pin Set .....	4.15	4.98	34	004/BW46	Over Run Catch .....	12.40	14.88
10	008/BW40/S	Hinge Pin A/P Door Set .....	5.25	6.30	35#	005/FW05L	Side Panel L.H. ....	NA	
11	008/BW41/A	Door Catch Assembly R.H. ....	25.50	30.60	36#	005/FW05R	Side Panel R.H. ....	NA	
12	008/BW42/A	Door Catch Assembly Ashpit .....	25.50	30.60	37#	005/FW06	Hood Panel .....	NA	
13	002/HV12	Door Knob L.H. (Round) .....	17.00	20.40	38#	003/EW01	Door L.H. ....	NA	
14	008/BW43L	Ashpit Door Spring L.H. ....	4.95	5.94	39#	003/EW02	Door R.H. ....	NA	
15	008/BW43R	Ashpit Door Spring R.H. ....	4.95	5.94	40#	003/FW03	Ashpit Door .....	NA	
16	002/CG06	Riddler Knob .....	22.50	27.00	41#	003/FW04	Top Grid .....	NA	
17	002/BW20	Riddler/Ashpan Tool .....	29.00	34.80	42	009/CW50iB/A	Firebox Assembly (CW50iB) .....	NA	
18	002/BW26	Door Opening Tool .....	12.10	14.52	42a	009/CW45iB/A	Firebox Assembly (CW45iB) .....	NA	
19	008/BW50	Thermostat Knob .....	5.25	6.30	43	012/FW12	Flue Offset (Optional Extra) .....	NA	
20	002/FW07	Front Firebar .....	89.00	106.80	44	012/BW45	Ashpit Door Bracket .....	NA	
21	002/FW08	Deepening Bar .....	61.00	73.20	45	008/FW46/A	Hood Fixing Kit .....	21.00	25.20
22	002/FW32	Throat Plate .....	77.00	92.40	46	011/JW09	Fire Brick (45iB) .....	22.00	26.40
23	002/FW15	Side Fire Plate .....	48.00	57.60	47	008/FW33	Throatplate Tool .....	12.90	15.48
24	002/FW16	Back Fire Plate .....	39.00	46.80	48	012/FW34	Scraper Tool .....	14.30	17.16
25	002/CG01	Bottom Grate Bar .....	18.30	21.96	49	002/FW49	Cast Iron Flue Adaptor (Opt'l Extra) ....	NA	
25a	002/CG01S11	Set of Grate Bars (11 Per Set) .....	166.00	199.20	50*	010/FW51	Ash Carrier (Optional Extra) .....	128.00	153.60
26	004/FW17	Ashpan .....	81.00	97.20	51*	008/TH02/L	Low Level Pipe Stat (Opt'l Extra) .....	66.00	79.20
27	002/EW30	Carrier Bar .....	57.00	68.40					

\* These items are not shown on the drawing.  
 # Please specify colour when ordering. Prices are shown in pounds sterling with vat at 20% They are correct at the date shown but may be subject to change without notice. E. & O.E These prices are subject to a carriage charge.

To obtain spare parts please contact your local stockist giving Model, Part No. and Description. In case of difficulty contact the manufacturer at the address shown. This drawing is for identification purposes only.

