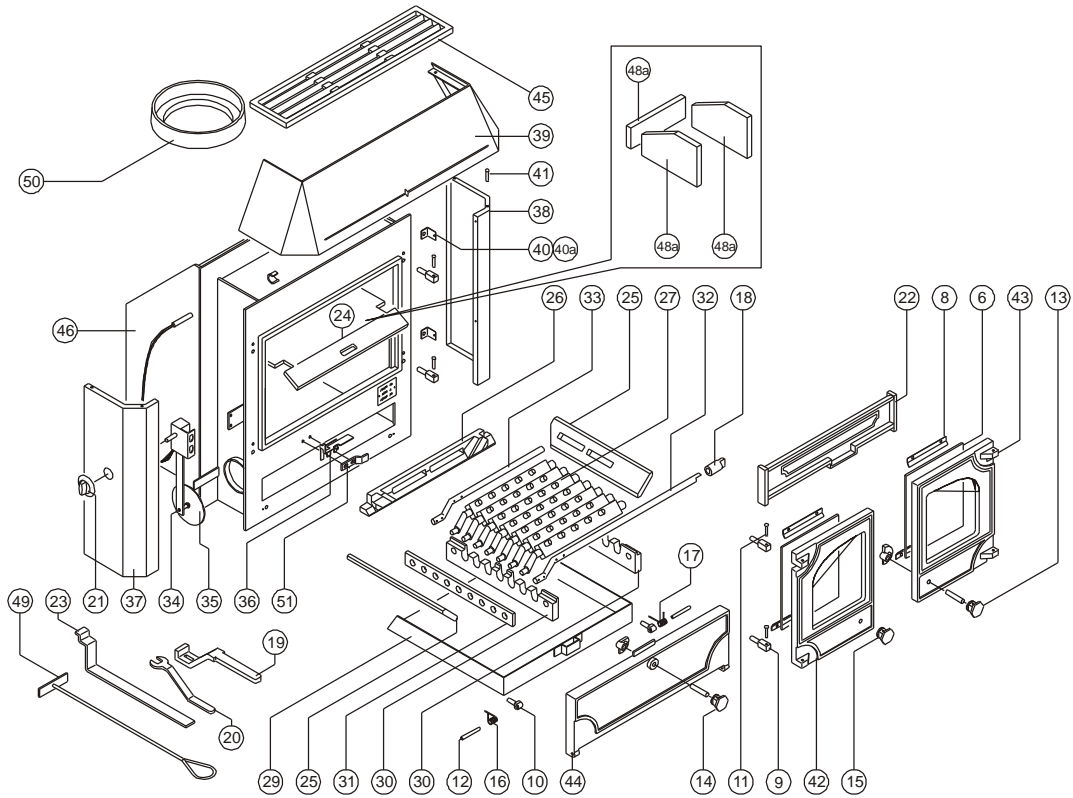




Issue K



Item	Part No.	Description	Ex.Vat.	Inc.Vat.	Item	Part No.	Description	Ex.Vat.	Inc.Vat.
4*	008/EW35S	Door Seal Set Inc Adhesive	24.50	29.40	29	004/EW17	Ashpan	63.00	75.60
5*	008/FW29	Door Seal Adhesive	9.10	10.92	30	002/HW30	Carrier Bar	23.00	27.60
6	006/FW30	Glass (Inc Seal)	35.50	42.60	31	012/HW33	Mover Bar	37.00	44.40
7*	008/EW45	Glass Seal Kit	11.00	13.20	32	012/FW14	Riddler Rod	29.50	35.40
8	004/EW23	Glazing Bar	3.30	3.96	33	012/CG05	Idle Rod	28.00	33.60
9	008/FW27	Hinge Post	5.60	6.72	34	008/BW49	Thermostat	50.00	60.00
10	008/FW28	Hinge Post	5.90	7.08	35	008/BW57	Thermostat Flap 90mm Dia	7.70	9.24
11	008/BW39/S	Hinge Pin Set	3.10	3.72	36	004/BW46	Over Run Catch	9.30	11.16
12	008/BW40/S	Hinge Pin A/P Door Set	4.00	4.80	37#	005/WW05L	Side Panel L.H.	NA	
13	008/BW41/A	Door Catch Assembly R.H.	18.70	22.44	38#	005/WW05R	Side Panel R.H.	NA	
14	008/BW42/A	Door Catch Assembly Ashpit	18.70	22.44	39#	005/WW06	Hood Panel	NA	
15	002/HV12	Door Knob L.H. (Round)	12.90	15.48	40	004/WW13	Panel Fixing Bracket	NA	
16	008/BW43L	Ashpit Door Spring L.H.	3.70	4.44	40a	012/WW30	Hood & Panel Fixing Kit	11.10	13.32
17	008/BW43R	Ashpit Door Spring R.H.	3.70	4.44	41	008/WW145	Hood Fixing Pin Set (4)	4.00	4.80
18	002/CG06	Riddler Knob	16.60	19.92	42#	003/EW01	Door L.H.	NA	
19	002/BW20	Riddler/Ashpan Tool	21.50	25.80	43#	003/EW02	Door R.H.	NA	
20	002/BW26	Door Opening Tool	9.10	10.92	44#	003/FW03	Ashpit Door	NA	
21	008/BW50	Thermostat Knob	4.00	4.80	45#	003/FW04	Top Grid	NA	
22	002/FW07	Front Firebar	67.00	80.40	46	001/YW10	Firebox (DX20i)		
23	008/FW33	Throatplate Tool	9.80	11.76	48a	011/HW09S	Set of Firebricks	61.00	73.20
24	002/HW31	Throat Plate	70.00	84.00	49	012/FW34	Scraper Tool	10.90	13.08
25	002/HW15	Side Fire Plate	15.50	18.60	50	002/FW49	Cast Iron Flue Adaptor (Opt'l Extra)	NA	
26	002/HW16	Back Fire Plate	15.80	18.96	51	012/BW45	Ashpit Door Bracket	NA	
27	002/CG01	Bottom Grate Bar	13.90	16.68	52*	010/EW51	Ash Carrier (Optional Extra)	92.00	110.40
28	002/CG015T	Set of Grate Bars (7per Set)	77.00	92.40					

* These items are not shown on the drawing.
 # Please specify colour when ordering.
 Prices are shown in pounds sterling with vat at 20%
 They are correct at the date shown but may be subject to change without notice. E. & O.E
 These prices are subject to a carriage charge.

To obtain spare parts please contact your local stockist giving Model, Part No. and Description. In case of difficulty contact the manufacturer at the address shown.
 This drawing is for identification purposes only.

