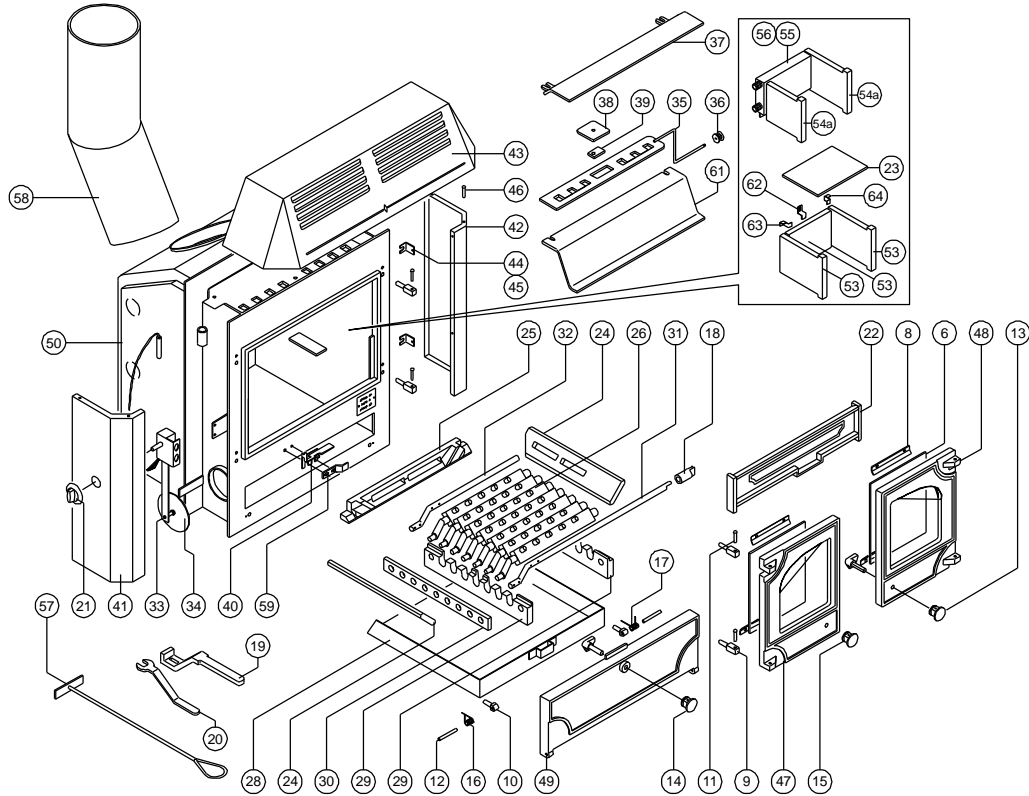




Issue G



Item	Part No.	Description	Ex.Vat.	Inc.Vat.	Item	Part No.	Description	Ex.Vat.	Inc.Vat.
4*	008/EW35S	Door Seal Set Inc Adhesive	30.00	36.00	34	008/BW57	Thermostat Flap 90mm Dia	9.35	11.22
5*	008/FW29	Door Seal Adhesive	11.20	13.44	35	012/HV09	Airwash Slide	37.50	45.00
6	006/FW30	Glass (Inc Seal)	43.50	52.20	36	002/TW13	Air Control Knob	18.40	22.08
7*	008/EW45	Glass Seal Kit	13.40	16.08	37	012/HV08	Airwash Cover Plate	32.50	39.00
8	004/EW23	Glazing Bar	4.05	4.86	38	012/HV09/2	Airwash Slide Retainer	3.30	3.96
9	008/FW27	Hinge Post	6.85	8.22	39	012/HV09/3	Airwash Slide Guide	3.30	3.96
10	008/FW28	Hinge Post	7.15	8.58	40	004/BW46	Over Run Catch	11.40	13.68
11	008/BW39/S	Hinge Pin Set	3.80	4.56	41#	005/WW05L	Side Panel L.H.	NA	
12	008/BW40/S	Hinge Pin A/P Door Set	4.85	5.82	42#	005/WW05R	Side Panel R.H.	NA	
13	008/BW41/A	Door Catch Assembly R.H.	23.50	28.20	43#	005/HV06	Hood Panel	NA	
14	008/BW42/A	Door Catch Assembly Ashpit	23.50	28.20	44	004/WW13	Panel Fixing Bracket	NA	
15	002/HV12	Door Knob L.H. (Round)	15.70	18.84	45	012/WW30	Hood & Panel Fixing Kit	13.60	16.32
16	008/BW43L	Ashpit Door Spring L.H.	4.55	5.46	46	008/WW14S	Hood Fixing Pin Set (4)	4.85	5.82
17	008/BW43R	Ashpit Door Spring R.H.	4.55	5.46	47#	003/EW01	Door L.H.	NA	
18	002/CG06	Riddler Knob	20.50	24.60	48#	003/EW02	Door R.H.	NA	
19	002/BW20	Riddler/Ashpan Tool	26.50	31.80	49#	003/FW03	Ashpit Door	NA	
20	002/BW26	Door Opening Tool	11.20	13.44	50	001/HV10	Firebox (DX20i MkII)		
21	008/BW50	Thermostat Knob	4.85	5.82	53	011/AV28S	Set of Firebricks	82.00	98.40
22	002/FW07	Front Firebar	82.00	98.40	54a	011/AV28BS	Set of Bricks (Use With Boiler)	63.00	75.60
23	002/AV31	Throat Plate	90.00	108.00	55	010/AV25	Add-In Boiler (Steel)	150.00	180.00
24	002/HW15	Side Fire Plate	18.90	22.68	56	010/AV25/SS	Add-In Boiler (Stainless Steel)	176.00	211.20
25	002/HW16	Back Fire Plate	19.20	23.04	57	012/FW34	Scraper Tool	13.20	15.84
26	002/CG01	Bottom Grate Bar	16.90	20.28	58	010/AV12	150° Flue Pipe (Optional Extra)	132.00	158.40
27	002/CG01S7	Set of Grate Bars (7per Set)	94.00	112.80	59	012/BW45	Ashpit Door Bracket	NA	
28	004/EW17	Ashpan	77.00	92.40	60*	010/EW51	Ash Carrier (Optional Extra)	122.00	146.40
29	002/HW30	Carrier Bar	28.50	34.20	61	010/HV05	Airwash Manifold	37.50	45.00
30	012/HW33	Mover Bar	45.50	54.60	62	004/XV30	Brick Retaining Bracket	7.45	8.94
31	012/FW14	Riddler Rod	36.00	43.20	63	004/XV31L	LH Rear Brick Retaining Bracket	9.70	11.64
32	012/CG05	Idler Rod	34.50	41.40	64	004/XV31R	RH Rear Brick Retaining Bracket	9.70	11.64
33	008/BW49	Thermostat	61.00	73.20					

* These items are not shown on the drawing.

Please specify colour when ordering. Prices are shown in pounds sterling with vat at 20% They are correct at the date shown but may be subject to change without notice. E. & O.E These prices are subject to a carriage charge.

To obtain spare parts please contact your local stockist giving Model, Part No. and Description. In case of difficulty contact the manufacturer at the address shown. This drawing is for identification purposes only.

