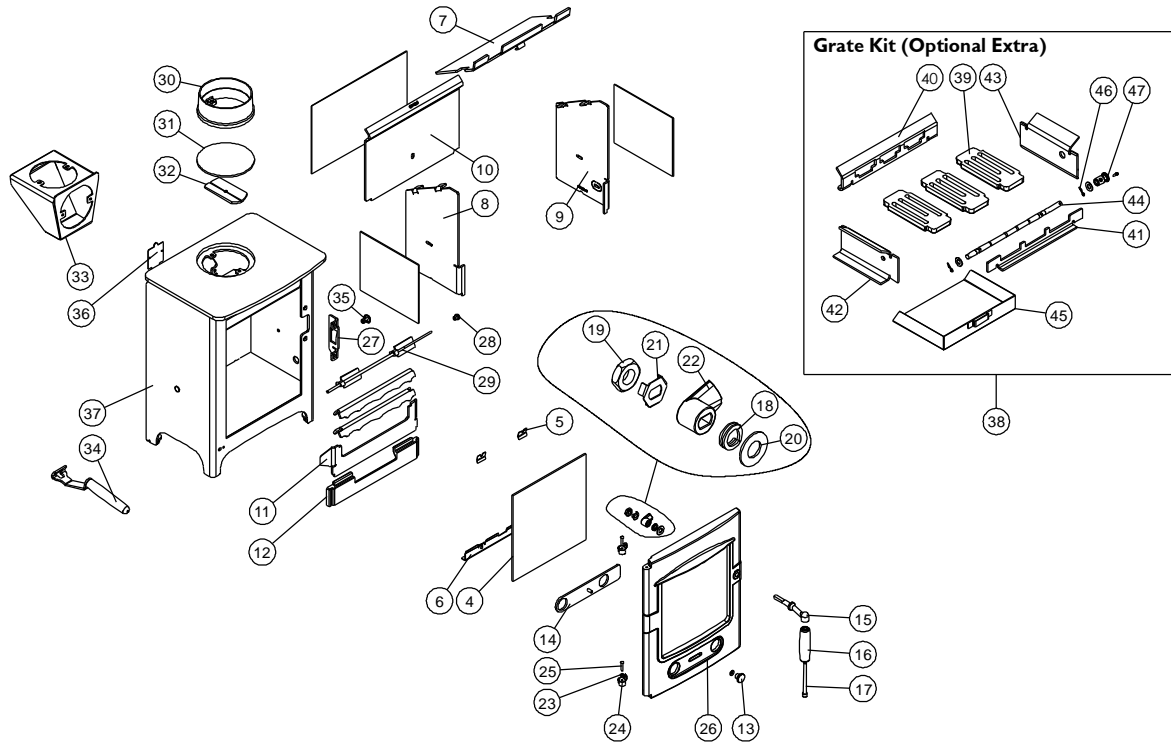




Issue G



Item	Part No.	Description	Ex.Vat.	Inc.Vat.	Item	Part No.	Description	Ex.Vat.	Inc.Vat.
1*	008/PV21	Door Seal	13.55	16.26	25	008/FFR003	Hinge Pin	0.44	0.53
2*	008/FW29	Door Seal Adhesive	8.50	10.20	26#	002/FR001/A	Door Assembly		
3*	008/PV55	Glass Seal Kit	9.70	11.64	27	010/FR016	Latch Bracket	7.55	9.06
4	006/PV19	Glass (Inc Seal)	57.00	68.40	28	008/FR018	Airwash Control Knob	7.90	9.48
5	004/KV23	Glass Retainer (Top)	0.52	0.62	29	004/EY48	Airwash Slide	27.85	33.42
6	004/FR020	Glass Retainer (Lower)	6.50	7.80	30#	002/PV12B	Flue Collar	43.15	51.78
7	010/PV31	Throat Plate	39.85	47.82	31	012/PV09	Blanking Plate	18.75	22.50
8	010/BR059L	L.H.Side Fire Plate Inc Gasket	33.10	39.72	32	010/EY51	Clamping Plate	14.80	17.76
9	010/BR059R	R.H. Side Fire Plate Inc Gasket	33.10	39.72	33#	010/BU034	Vertical Rear Flue Adapter (Optional E	85.00	102.00
10	010/FR058	Back Fire Plate Inc Gasket	35.15	42.18	34	012/BV20/A	Ashpan Tool	20.35	24.42
11	010/FR008	Fence Assembly	33.20	39.84	35	004/DY22	Riddler Blanking Disc	3.50	4.20
12	002/EY24	Wood Ash Retainer	37.75	45.30	36	012/FR011	Serial No Label		
13	008/FR017	Air Slide Knob	7.90	9.48	37#	001/FR010	Firebox		
14	010/FR002	Air Slide	12.00	14.40	38	010/EY20	Grate Kit (Optional Extra)	125.00	150.00
15	002/FR003	Handle Casting	17.60	21.12	39	002/EY03	Grate Plate	25.50	30.60
16	008/FR012	Wooden Handle	9.95	11.94	40	010/EY09	Rear Grate Support	25.50	30.60
17	008/FFB007	M8 x 100mm Socket Head Bolt	0.50	0.60	41	010/EY06	Front Grate Support	25.50	30.60
18	008/FFW015	M12 Double Coil Spring Washer	1.55	1.86	42	010/EY04	L.H. Side Grate Support	25.50	30.60
19	008/FFN001	M12 Nut	0.15	0.18	43	010/EY05	R.H. Side Grate Support	25.50	30.60
20	008/FFW008	M12 Washer	0.10	0.12	44	010/EY13	Riddler Rod Assembly	26.55	31.86
21	004/ST008	Tab Washer	1.02	1.22	45	004/PV17	Ashpan	27.05	32.46
22	002/AY14	Door Catch	7.90	9.48	46	008/DY23	Riddler Rod Retaining Clips	9.70	11.64
23	002/BR020	Hinge Casting	9.10	10.92	47	002/DY21	Riddler Knob	17.00	20.40
24	008/FFW026	M6 Heavy Brass Washer	0.15	0.18	48#	010/EW51	Ash Carrier (Optional Extra)	84.00	100.80

* These items are not shown on the drawing.
 Prices are shown in pounds sterling with vat at 20%
 They are correct at the date shown but may be subject to change without notice. E. & O.E
 These prices are subject to a carriage charge.

To obtain spare parts please contact your local stockist giving Model, Part No. and Description. In case of difficulty contact the manufacturer at the address shown.
 This drawing is for identification purposes only.

