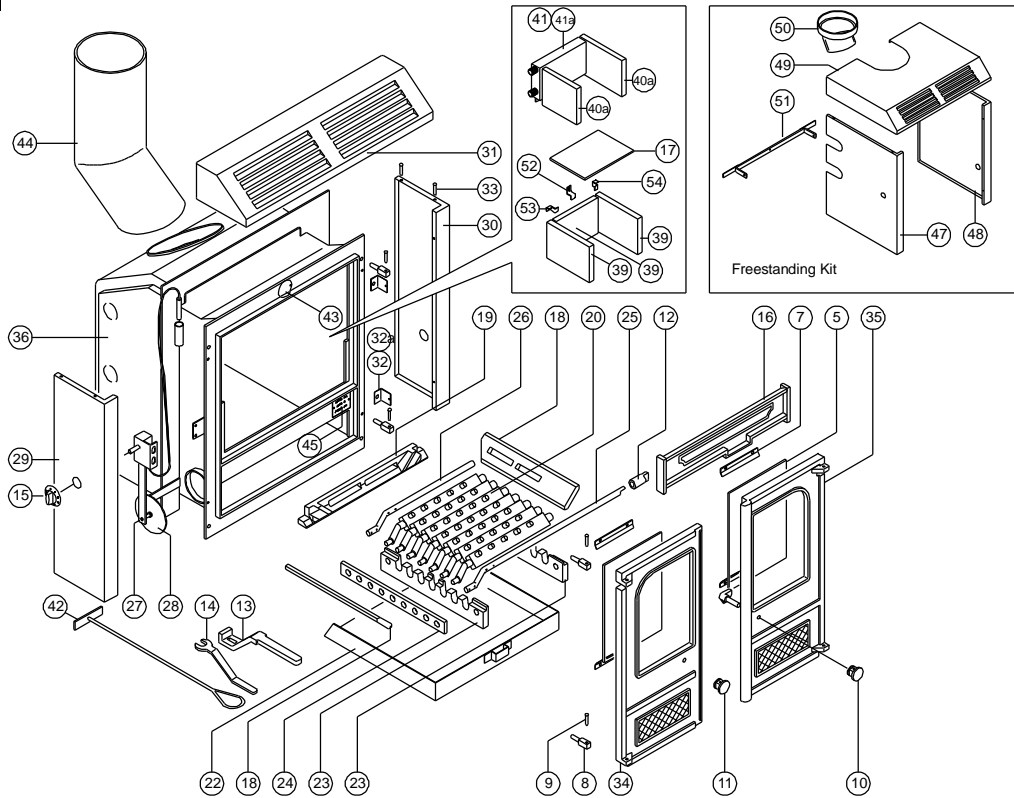




Issue M



Item	Part No.	Description	Ex.Vat.	Inc.Vat.	Item	Part No.	Description	Ex.Vat.	Inc.Vat.
3*	008/RW35/S	Door Seal Set Incl. Adhesive	23.05	27.66	29#	005/RW05	Side Panel L.H.	72.85	87.42
4*	008/FW29	Door Seal Adhesive	8.50	10.20	30#	005/RW04	Side Panel R.H.	72.85	87.42
5	006/RW18	Glass (Inc Seal)	53.90	64.68	31#	005/RW06	Hood Panel	106.00	127.20
6*	008/RW55	Glass Seal Kit	10.20	12.24	32	004/RW13	Panel Fixing Bracket	3.25	3.90
7	004/EW23	Glazing Bar	3.00	3.60	32a	012/RW30	Hood & Panel Fixing Kit	10.35	12.42
8	008/FW27	Hinge Post	5.15	6.18	33	008/WW14S	Hood Fixing Pin Set (4)	3.70	4.44
9	008/BW39/S	Hinge Pin Set	2.80	3.36	34#	003/RW01/A	Door L.H. Assembly	139.50	167.40
10	008/RW43/A	Door Catch Assembly R.H.	17.55	21.06	35#	003/RW02/A	Door R.H. Assembly	147.05	176.46
11	002/HV12	Door Knob L.H. (Round)	12.05	14.46	36	001/AV10	Firebox (LA20i)	61.90	74.28
12	002/CG06	Riddler Knob	15.50	18.60	39	011/AV28S	Set of Firebricks	47.70	57.24
13	002/BW20	Riddler/Ashpan Tool	19.90	23.88	40a	011/AV28BS	Set of Firebricks (Use With Boiler)	47.70	57.24
14	002/BW26	Door Opening Tool	8.50	10.20	41	010/AV25	Add-In Boiler (Steel)	106.00	127.20
15	008/BW50	Thermostat Knob	3.70	4.44	41a	010/AV25/SS	Add-In Boiler (Stainless Steel)	129.00	154.80
16	002/FW07	Front Firebar	61.55	73.86	42	012/FW34	Scraper Tool	10.10	12.12
17	002/AV31	Throat Plate	67.35	80.82	43	008/RW09	Secondary Air Flap	3.40	4.08
18	002/HW15	Side Fire Plate	14.50	17.40	44	010/AV12	150° Flue Pipe (Optional Extra)	91.00	109.20
19	002/HW16	Back Fire Plate	14.80	17.76	45	012/AV11	Serial Number Label		
20	002/CG01	Bottom Grate Bar	13.05	15.66	46*	010/EW51	Ash Carrier (Optional Extra)	84.00	100.80
21	002/CG01S7	Set of Grate Bars (7per Set)	71.95	86.34	47#	005/AV23	Side Panel L.H. (Freestanding Kit)	104.45	125.34
22	004/EW17	Ashpan	58.50	70.20	48#	005/AV24	Side Panel R.H. (Freestanding Kit)	104.45	125.34
23	002/HW30	Carrier Bar	21.30	25.56	49#	005/AV22	Hood Panel (Freestanding Kit)	156.80	188.16
24	012/HW33	Mover Bar	34.35	41.22	50	002/AV13	150° Flue Elbow (Freestanding Kit)	60.10	72.12
25	012/FW14	Riddler Rod	27.40	32.88	51	010/AV26	Rear Panel Bracket (Freestanding Kit) ..	10.35	12.42
26	012/CG05	Idle Rod	25.85	31.02	52	004/XV30	Brick Retaining Bracket	5.65	6.78
27	008/BW49	Thermostat	47.05	56.46	53	004/XV31L	LH Rear Brick Retaining Bracket	7.50	9.00
28	008/BW57	Thermostat Flap 90mm Dia	7.20	8.64	54	004/XV31R	RH Rear Brick Retaining Bracket	7.50	9.00

* These items are not shown on the drawing.
 # Please specify colour when ordering.
 Prices are shown in pounds sterling with vat at 20%
 They are correct at the date shown but may be subject to change without notice. E. & O.E
 These prices are subject to a carriage charge.

To obtain spare parts please contact your local stockist giving Model, Part No. and Description. In case of difficulty contact the manufacturer at the address shown.
 This drawing is for identification purposes only.

