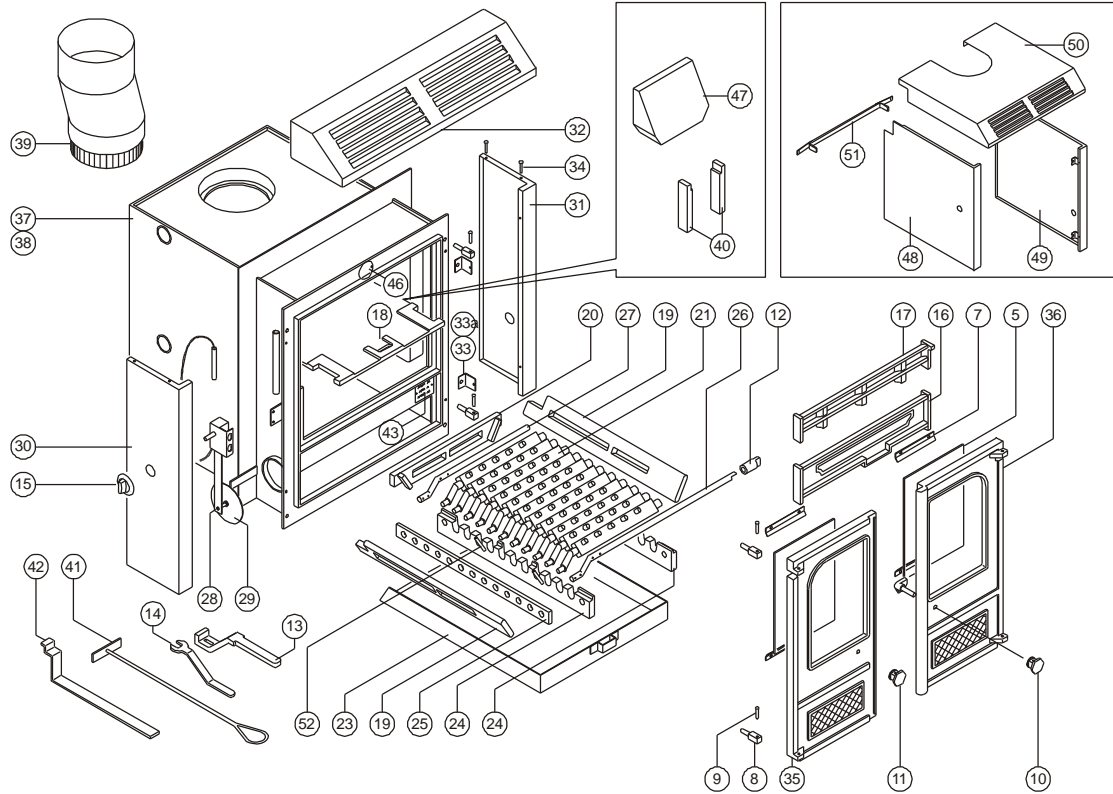




Issue O



Item	Part No.	Description	Ex.Vat.	Inc.Vat.	Item	Part No.	Description	Ex.Vat.	Inc.Vat.
3*	008/RW35/S	Door Seal Set Incl. Adhesive	23.05	27.66	29	008/BW57	Thermostat Flap 90mm Dia	7.20	8.64
4*	008/FW29	Door Seal Adhesive	8.50	10.20	30#	005/RW05	Side Panel L.H.	72.85	87.42
5	006/RW18	Glass (Inc Seal)	53.90	64.68	31#	005/RW04	Side Panel R.H.	72.85	87.42
6*	008/RW55	Glass Seal Kit	10.20	12.24	32#	005/RW06	Hood Panel	106.00	127.20
7	004/EW23	Glazing Bar	3.00	3.60	33	004/RW13	Panel Fixing Bracket	3.25	3.90
8	008/FW27	Hinge Post	5.15	6.18	33a	012/RW30	Hood & Panel Fixing Kit	10.35	12.42
9	008/BW39/S	Hinge Pin Set	2.80	3.36	34	008/WW14S	Hood Fixing Pin Set (4)	3.70	4.44
10	008/RW43/A	Door Catch Assembly R.H.	17.55	21.06	35#	003/RW01/A	Door L.H. Assembly	139.50	167.40
11	002/HV12	Door Knob L.H. (Round)	12.05	14.46	36#	003/RW02/A	Door R.H. Assembly	147.05	176.46
12	002/CG06	Riddler Knob	15.50	18.60	37	009/LA50iB/A	Firebox Assembly (LA50iB)		
13	002/BW20	Riddler/Ashpan Tool	19.90	23.88	38	009/LA45iB/A	Firebox Assembly (LA45iB)		
14	002/BW26	Door Opening Tool	8.50	10.20	39	012/FW12	Flue Offset (Optional Extra)	102.00	122.40
15	008/BW50	Thermostat Knob	3.70	4.44	40	011/JW09	Fire Brick (45iB)	15.30	18.36
16	002/FW07	Front Firebar	61.55	73.86	41	012/FW34	Scraper Tool	10.10	12.12
17	002/FW08	Deepening Bar	42.75	51.30	42	008/FW33	Throatplate Tool	9.20	11.04
18	002/FW32	Throat Plate	53.65	64.38	43		Serial No. Label		
19	002/FW15	Side Fire Plate	33.25	39.90	44*	010/FW51	Ash Carrier (Optional Extra)	84.00	100.80
20	002/FW16	Back Fire Plate	27.40	32.88	45*	008/TH02/L	Low Level Pipe Stat (Opt'l Extra)	42.00	50.40
21	002/CG01	Bottom Grate Bar	13.05	15.66	46	008/RW09	Secondary Air Flap	3.40	4.08
22	002/CG01S11	Set of Grate Bars (11 Per Set)	113.50	136.20	47	011/AV09	Boiler Reduction Brick (Optional Extra)	39.65	47.58
23	004/FW17	Ashpan	56.80	68.16	48#	005/RW23	Side Panel L.H. (Freestanding Kit)	153.35	184.02
24	002/EW30	Carrier Bar	40.10	48.12	49#	005/RW24	Side Panel R.H. (Freestanding Kit)	153.35	184.02
25	012/EW33	Mover Bar	36.80	44.16	50#	005/RW25	Top Panel (Freestanding Kit)	213.30	255.96
26	012/FW14	Riddler Rod	27.40	32.88	51	010/RW26	Rear Panel Bracket (F'standing Kit)	10.35	12.42
27	012/CG05	Idler Rod	25.85	31.02	52	008/BW40	Carrier Bar Roll Pin (Pair)	3.70	4.44
28	008/FW48	Thermostat	41.95	50.34					

* These items are not shown on the drawing.
 # Please specify colour when ordering.
 Prices are shown in pounds sterling with vat at 20%
 They are correct at the date shown but may be subject to change without notice. E. & O.E
 These prices are subject to a carriage charge.

To obtain spare parts please contact your local stockist giving Model, Part No. and Description. In case of difficulty contact the manufacturer at the address shown.
 This drawing is for identification purposes only.

