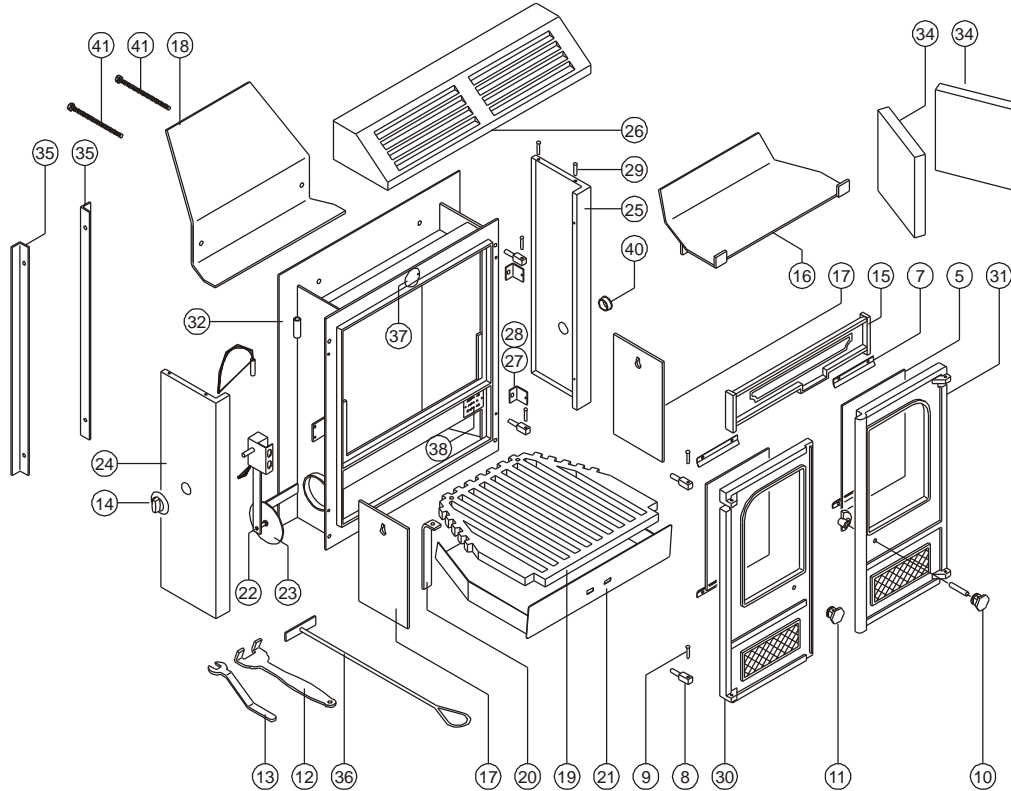




Issue H



Item	Part No.	Description	Ex.Vat.	Inc.Vat.	Item	Part No.	Description	Ex.Vat.	Inc.Vat.
3*	008/RW35/S	Door Seal Set Incl. Adhesive	27.00	32.40	22	008/BW49	Thermostat	55.00	66.00
4*	008/FW29	Door Seal Adhesive	10.10	12.12	23	008/BW57	Thermostat Flap 90mm Dia	8.50	10.20
5	006/RW18	Glass (Inc Seal)	64.00	76.80	24#	005/RW05	Side Panel L.H.	86.00	103.20
6*	008/RW55	Glass Seal Kit	12.10	14.52	25#	005/RW04	Side Panel R.H.	86.00	103.20
7	004/EW23	Glazing Bar	3.65	4.38	26#	005/RW06	Hood Panel	128.00	153.60
8	008/FW27	Hinge Post	6.20	7.44	27	004/RW13	Panel Fixing Bracket	3.85	4.62
9	008/BW39/S	Hinge Pin Set	3.45	4.14	28	012/RW30	Hood & Panel Fixing Kit	12.30	14.76
10	008/RW43/A	Door Catch Assembly R.H.	21.00	25.20	29	008/WW14S	Hood Fixing Pin Set (4)	4.40	5.28
11	002/HV12	Door Knob L.H. (Round)	14.20	17.04	30#	003/RW01/A	Door L.H. Assembly	166.00	199.20
12	010/EV20	Ashpan Tool	NA		31#	003/RW02/A	Door R.H. Assembly	174.00	208.80
13	002/BW26	Door Opening Tool	10.10	12.12	32	001/EV10	Firebox (LA Firefront Mk I)		
14	008/BW50	Thermostat Knob	4.40	5.28	34	011/EV28S	Set of Firebricks (Optional)	75.00	90.00
15	002/FW07	Front Firebar	74.00	88.80	35	010/EV13S	Frame Kit (Optional)	37.50	45.00
16	010/EV09	Throat Plate	66.00	79.20	36	012/FW34	Scraper Tool	12.00	14.40
17	010/EV04	Side Plate	20.50	24.60	37	008/RW09	Secondary Air Flap	4.10	4.92
18	010/EV03	Clamping Plate	34.00	40.80	38	012/EV08	Serial Number Label	NA	
19	002/EV12	Bottom Grate	56.50	67.80	39*	010/EW51	Ash Carrier (Optional Extra)	106.00	127.20
20	010/EV11	Grate Leg	3.00	3.60	40	012/EV14	Bung	12.80	15.36
21	004/EV17	Ashpan (Tapered)	69.00	82.80	41	010/EV18	Clamping Bolt	4.20	5.04

* These items are not shown on the drawing. Prices are shown in pounds sterling with vat at 20% They are correct at the date shown but may be subject to change without notice. E. & O.E These prices are subject to a carriage charge.

To obtain spare parts please contact your local stockist giving Model, Part No. and Description. In case of difficulty contact the manufacturer at the address shown. This drawing is for identification purposes only.

