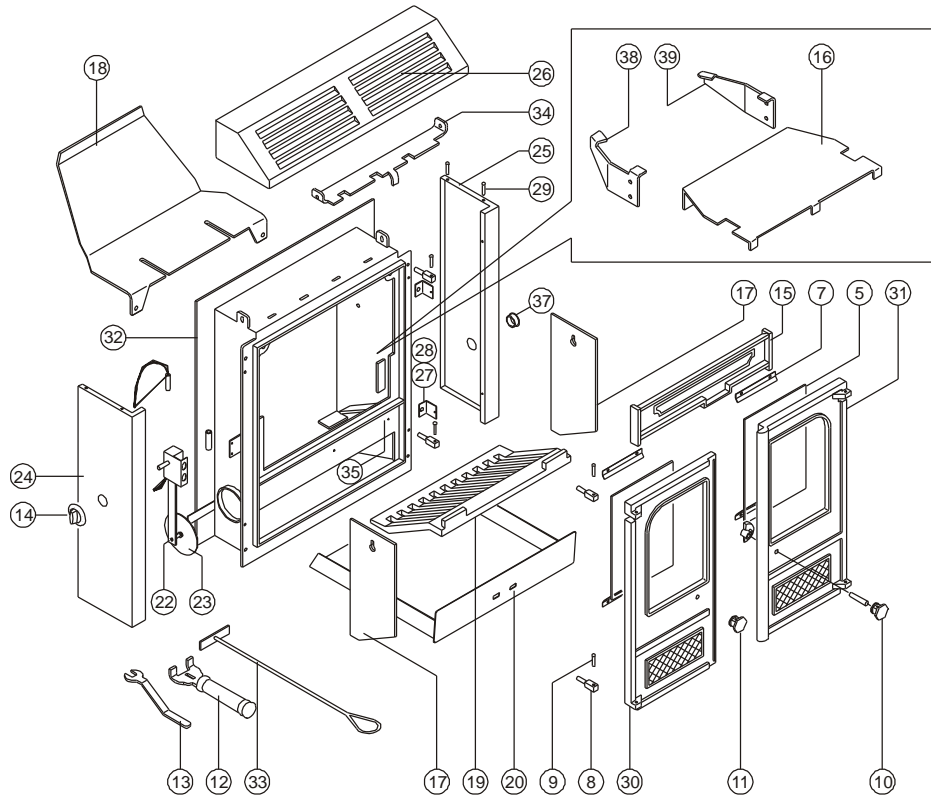




**Issue F**



Item	Part No.	Description	Ex.Vat.	Inc.Vat.	Item	Part No.	Description	Ex.Vat.	Inc.Vat.
3*	008/RW35/S	Door Seal Set Incl. Adhesive .....	24.50	29.40	22	008/BW49	Thermostat .....	50.00	60.00
4*	008/FW29	Door Seal Adhesive .....	9.10	10.92	23	008/BW57	Thermostat Flap 90mm Dia .....	7.70	9.24
5	006/RW18	Glass (Inc Seal) .....	58.00	69.60	24#	005/RW05	Side Panel L.H. ....	78.00	93.60
6*	008/RW55	Glass Seal Kit .....	11.00	13.20	25#	005/RW04	Side Panel R.H. ....	78.00	93.60
7	004/EW23	Glazing Bar .....	3.30	3.96	26#	005/RW06	Hood Panel .....	116.00	139.20
8	008/FW27	Hinge Post .....	5.60	6.72	27	004/RW13	Panel Fixing Bracket .....	3.50	4.20
9	008/BW39/S	Hinge Pin Set .....	3.10	3.72	28	012/RW30	Hood & Panel Fixing Kit .....	11.10	13.32
10	008/RW43/A	Door Catch Assembly R.H. ....	18.70	22.44	29	008/VW14S	Hood Fixing Pin Set (4) .....	4.00	4.80
11	002/HV12	Door Knob L.H. (Round) .....	12.90	15.48	30#	003/RW01/A	Door L.H. Assembly .....	150.00	180.00
12	010/RW21	Ashpan Tool .....	22.00	26.40	31#	003/RW02/A	Door R.H. Assembly .....	158.00	189.60
13	002/BW26	Door Opening Tool .....	9.10	10.92	32	001/RV10	Firebox (LA Firefront MKII)		
14	008/BW50	Thermostat Knob .....	4.00	4.80	33	012/FW34	Scraper Tool .....	10.90	13.08
15	002/FW07	Front Firebar .....	67.00	80.40	34	010/RV13	Secondary Air Slide .....	30.50	36.60
16	010/RV09	Throat Plate .....	42.50	51.00	35	012/EV08	Serial Number Label .....		NA
17	010/RV04	Side Plate .....	18.60	22.32	36*	010/EW51	Ash Carrier (Optional Extra) .....	92.00	110.40
18	010/RV03	Clamping Plate .....	30.50	36.60	37	012/EV14	Bung .....	11.60	13.92
19	002/RV12	Front Grate .....	55.00	66.00	38	010/RV05/L	Throat Plate Bracket Left Hand .....	19.00	22.80
20	004/RV17	Ashpan (Rectangular) .....	58.50	70.20	39	010/RV05/R	Throat Plate Bracket Right Hand .....	19.00	22.80
21	004/EV17	Ashpan (Tapered) .....	62.00	74.40					

\* These items are not shown on the drawing.  
 Prices are shown in pounds sterling with vat at 20%  
 They are correct at the date shown but may be subject to change without notice. E. & O.E  
 These prices are subject to a carriage charge.

To obtain spare parts please contact your local stockist giving Model, Part No. and Description. In case of difficulty contact the manufacturer at the address shown.  
 This drawing is for identification purposes only.

