

## ISLAND II *blu*



### RATED OUTPUT

**8kW** to room (range **5-11kW**)

### NET EFFICIENCY

**79%**

### FLUE OUTLET

Top or Rear **150mm (6")** dia

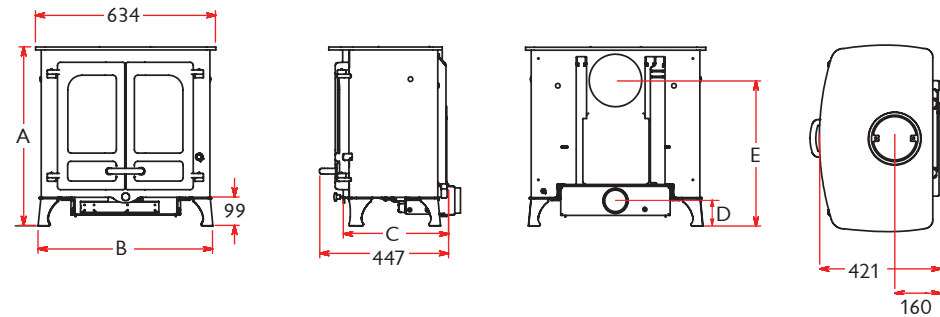
### MAX LOG LENGTH

**440 mm (17")**




### MIN DISTANCE TO COMBUSTIBLES

Side: **450mm** Rear: **600mm**

With panels / heatshield - Side: **325mm** Rear: **325mm**



The Charnwood Island II is the middle stove in the Island collection. With a slightly larger view of the fire it still retains its clean-line proportions while producing a rated 8kW of heat to the room. Optional convection panels are also available and it can take a log length of up to 440mm (17"). This model is SIA Ecodesign ready (blu).

|                    |   | A          | B          | C          | D          | E          | WEIGHT       |
|--------------------|---|------------|------------|------------|------------|------------|--------------|
| <b>LOW LEGS</b>    |  | <b>619</b> | <b>605</b> | <b>365</b> | <b>87</b>  | <b>504</b> | <b>140KG</b> |
| <b>HIGH LEGS</b>   |  | <b>710</b> | <b>622</b> | <b>365</b> | <b>179</b> | <b>595</b> | <b>143KG</b> |
| <b>STORE STAND</b> |  | <b>820</b> | <b>584</b> | <b>301</b> | <b>289</b> | <b>705</b> | <b>154KG</b> |