

ISLAND IIct



The Island IIct is based on the successful Island II and features a built in soap stone cooking top under a removable steel plate that doubles as an easy-clean splash back when you cook. The stove was designed for the increasingly popular open-plan living areas in today's homes - merging the boundaries of cooking, dining and lounging. This stove may burn wood logs in smoke control areas if fitted with a smoke reduction kit.

RATED OUTPUT

8kW to room (range **5-11kW**)

NET EFFICIENCY

79%

FLUE OUTLET

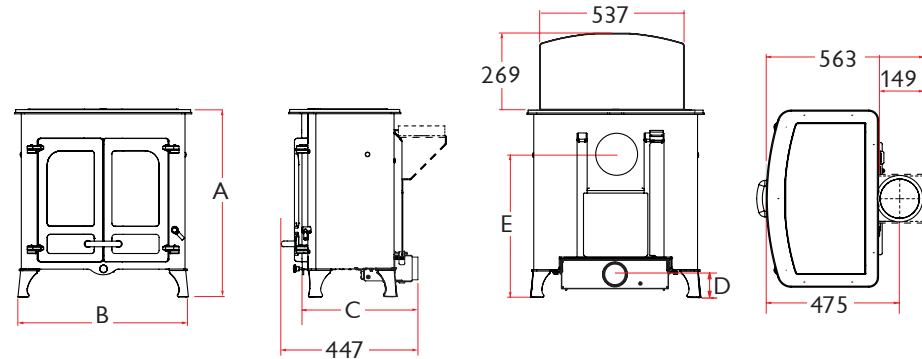
Rear **150mm (6")** dia




MAX LOG LENGTH

440 mm (17")

MIN DISTANCE TO COMBUSTIBLES

Side: **600mm** Rear: **700mm**



		A	B	C	D	E	WEIGHT
LOW LEGS		668	605	392	87	610	156KG
HIGH LEGS		759	622	392	179	700	159KG
STORE STAND		870	584	392	289	810	170KG