

ISLAND II



The Charnwood Island II is the middle stove in the Island collection. With a slightly larger view of the fire it still retains its clean-line proportions while producing a rated 8kW of heat to the room. Optional convection panels are also available and it can take a log length of up to 440mm (17").

RATED OUTPUT

8kW to room (range **5-11kW**)

NET EFFICIENCY

78%

FLUE OUTLET

Top or Rear **150mm (6")** dia

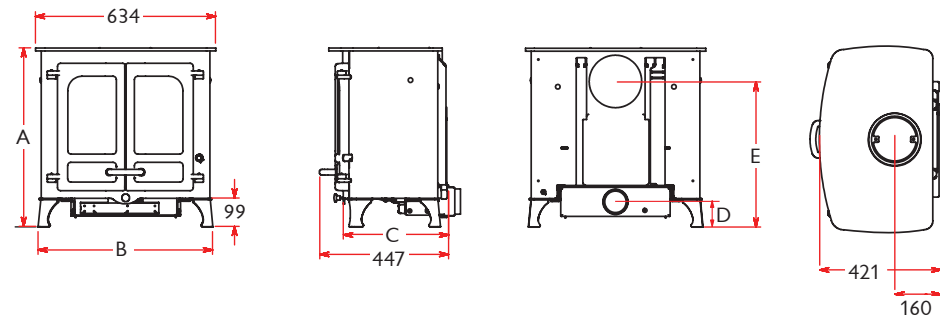
MAX LOG LENGTH




440 mm (17")

MIN DISTANCE TO COMBUSTIBLES

Side: **450mm** Rear: **600mm**

With panels / heatshield - Side: **325mm** Rear: **325mm**



| | | A | B | C | D | E | WEIGHT |
|--------------------|---|------------|------------|------------|------------|------------|--------------|
| LOW LEGS |  | 619 | 605 | 365 | 87 | 504 | 140KG |
| HIGH LEGS |  | 710 | 622 | 365 | 179 | 595 | 143KG |
| STORE STAND |  | 820 | 584 | 301 | 289 | 705 | 154KG |